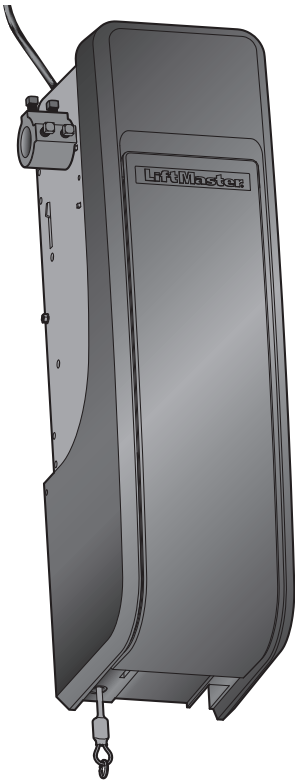


# LiftMaster®

## USER'S GUIDE

FOR RESIDENTIAL USE ONLY

INSTALL ON SECTIONAL DOORS WITH  
TORSION ASSEMBLIES ONLY



## Wall Mount Wi-Fi® Garage Door Opener Model 8500W

This product is intended for installation only by trained garage door technicians. This product may require adjustments to door springs and/or track configurations. This product is not intended for use on low headroom tracks with outside pickup drum or garage doors utilizing extension springs.

- Please read this manual and the enclosed safety materials carefully!
- The door **WILL NOT CLOSE** unless the Protector System® and cable tension monitor are connected and properly aligned.
- Periodic checks of the garage door opener are required to ensure safe operation.
- The model number is located on the front cover of the operator.
- This garage door opener is **ONLY** compatible with MyQ® and Security+ 2.0® accessories.

**Register your garage door opener to receive updates and offers from LiftMaster  
OR register online at: [www.prodregister.com/LiftMaster](http://www.prodregister.com/LiftMaster)**



1 Take a photo of the camera icon including the points (©).

2 Send it in by texting the photo to 71403 (US) or visit [www.liftmaster.photo](http://www.liftmaster.photo) (Global)



LiftMaster.com

LiftMaster  
300 Windsor Drive  
Oak Brook, IL 60523

# Contents

|  |       |
|--|-------|
| Important Safety Instructions .....                              | 3-4   |
| Connect With Your Smartphone .....                               | 5-6   |
| Test the Wi-Fi Signal Strength .....                             | 5     |
| Connect Your Garage Door Opener to Your Home Wi-Fi Network ..... | 6     |
| Programming .....  | 7-8   |
| 893MAX Remote Control .....                                      | 7     |
| Wireless Keypad .....  | 7     |
| To Erase the Memory .....  | 7     |
| Program the MyQ LED Remote Light .....                           | 8     |
| HomeLink .....   | 8     |
| Operation .....  | 9-11  |
| To Open the Door Manually .....                                  | 9     |
| Door Control .....   | 10    |
| Battery Backup .....   | 10    |
| The Protector System (Safety Reversing Sensors) .....            | 11    |
| Adjustments .....  | 12-14 |
| Introduction .....   | 12    |
| Program the Travel .....   | 13    |
| Test the Safety Reversal System .....                            | 14    |
| Test the Protector System .....                                  | 14    |
| Maintenance .....  | 15    |
| Troubleshooting .....  | 16-17 |
| Automatic Garage Door Opener Safety & Maintenance Guide .....    | 18-19 |
| Repair Parts .....   | 20    |
| Warranty .....   | 20    |

## Safety Symbol and Signal Word Review

This garage door opener has been designed and tested to offer safe service provided it is installed, operated, maintained and tested in strict accordance with the instructions and warnings contained in this manual.

When you see these Safety Symbols and Signal Words on the following pages, they will alert you to the possibility of **serious injury or death** if you do not comply with the warnings that accompany them. The hazard may come from something mechanical or from electric shock. Read the warnings carefully.



### WARNING

**Mechanical**




### WARNING

**Electrical**

When you see this Signal Word on the following pages, it will alert you to the possibility of damage to your garage door and/or the garage door opener if you do not comply with the cautionary statements that accompany it. Read them carefully.

## CAUTION

 **WARNING:** This product can expose you to chemicals including lead, which are known to the State of California to cause cancer or birth defects or other reproductive harm. For more information go to [www.P65Warnings.ca.gov](http://www.P65Warnings.ca.gov)

## Unattended Operation

The Timer-to-Close (TTC) feature, the MyQ® Smartphone Control app, and MyQ® Garage Door and Gate Monitor are examples of unattended close and are to be used **ONLY** with sectional doors. Any device or feature that allows the door to close without being in the line of sight of the door is considered unattended close. The Timer-to-Close (TTC) feature, the MyQ® Smartphone Control, and any other MyQ® devices are to be used **ONLY** with sectional doors.

MyQ Remote LED Light must be installed to enable use of Timer To Close or MyQ Smartphone Control of the door.

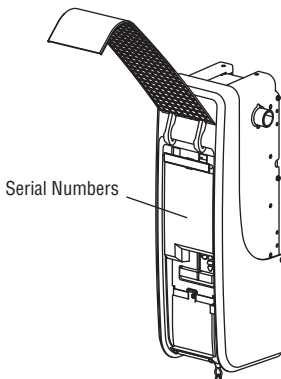
## myQ Serial Number:

Write down the following information for future reference:

MyQ Serial Number:

Product S/N:

Date of Purchase:



## IMPORTANT INSTALLATION INSTRUCTIONS



### To reduce the risk of SEVERE INJURY or DEATH:

1. READ AND FOLLOW ALL WARNINGS AND INSTRUCTIONS.
2. Install garage door opener ONLY on properly balanced and lubricated garage door. An improperly balanced door may NOT reverse when required and could result in SEVERE INJURY or DEATH.
3. ALL repairs to cables, spring assemblies and other hardware MUST be made by a trained door systems technician BEFORE installing opener.
4. Disable ALL locks and remove ALL ropes connected to garage door BEFORE installing opener to avoid entanglement.
5. Where possible, install the door operator 7 feet (2.13 m) or more above the floor.
6. Mount the emergency release within reach, but at least 6 feet (1.83 m) above the floor and avoiding contact with vehicles to avoid accidental release.
7. NEVER connect garage door opener to power source until instructed to do so.
8. NEVER wear watches, rings or loose clothing while installing or servicing opener. They could be caught in garage door or opener mechanisms.
9. Install wall-mounted garage door control:
  - within sight of the garage door.
  - out of reach of small children at a minimum height of 5 feet (1.53 m) above floors, landings, steps or any other adjacent walking surface.
  - away from ALL moving parts of the door.
10. Install the emergency release marking. Attach the marking on or next to the emergency release. Install the entrapment warning placard next to the door control in a prominent location.
11. Place emergency release/safety reverse test label in plain view on inside of garage door.
12. Upon completion of installation, test safety reversal system. Door MUST reverse on contact with a 1-1/2" (3.8 cm) high object (or a 2x4 laid flat) on the floor.
13. To avoid SERIOUS PERSONAL INJURY or DEATH from electrocution, disconnect ALL electric and battery power BEFORE performing ANY service or maintenance.
14. **SAVE THESE INSTRUCTIONS.**

## IMPORTANT SAFETY INSTRUCTIONS



### To reduce the risk of SEVERE INJURY or DEATH:

1. READ AND FOLLOW ALL WARNINGS AND INSTRUCTIONS.
2. ALWAYS keep remote controls out of reach of children. NEVER permit children to operate or play with garage door control push buttons or remote controls.
3. ONLY activate garage door when it can be seen clearly, it is properly adjusted, and there are no obstructions to door travel.
4. ALWAYS keep garage door in sight and away from people and objects until completely closed. NO ONE SHOULD CROSS THE PATH OF THE MOVING DOOR.
5. NO ONE SHOULD GO UNDER A STOPPED, PARTIALLY OPENED DOOR.
6. If possible, use emergency release handle to disengage trolley ONLY when garage door is CLOSED. Use caution when using this release with the door open. Weak or broken springs or unbalanced door could result in an open door falling rapidly and/or unexpectedly and increasing the risk of SEVERE INJURY or DEATH.
7. NEVER use emergency release handle unless garage doorway is clear of persons and obstructions.
8. NEVER use emergency release handle to pull garage door open or closed. If rope knot becomes untied, you could fall.
9. After ANY adjustments are made, the safety reversal system MUST be tested.
10. Safety reversal system MUST be tested every month. Garage door MUST reverse on contact with 1-1/2" high (3.8 cm) object (or a 2x4 laid flat) on the floor. Failure to adjust the garage door opener properly increases the risk of SEVERE INJURY or DEATH.
11. ALWAYS KEEP GARAGE DOOR PROPERLY BALANCED. An improperly balanced door may NOT reverse when required and could result in SEVERE INJURY or DEATH.
12. ALL repairs to cables, spring assemblies and other hardware, ALL of which are under EXTREME tension, MUST be made by a trained door systems technician.
13. ALWAYS disconnect electric power to garage door opener BEFORE making ANY repairs or removing covers.
14. This operator system is equipped with an unattended operation feature. The door could move unexpectedly. NO ONE SHOULD CROSS THE PATH OF THE MOVING DOOR.
15. **SAVE THESE INSTRUCTIONS.**

# Power

To reduce the risk of electric shock, your garage door opener has a grounding type plug with a third grounding pin. This plug will only fit into a grounding type outlet. If the plug doesn't fit into the outlet you have, contact a qualified electrician to install the proper outlet.

## OPTION A: TYPICAL WIRING

1. Plug in the garage door opener into a grounded outlet.
2. DO NOT run garage door opener at this time.

## OPTION B: PERMANENT WIRING CONNECTION

If permanent wiring is required by your local code, refer to the following procedure.

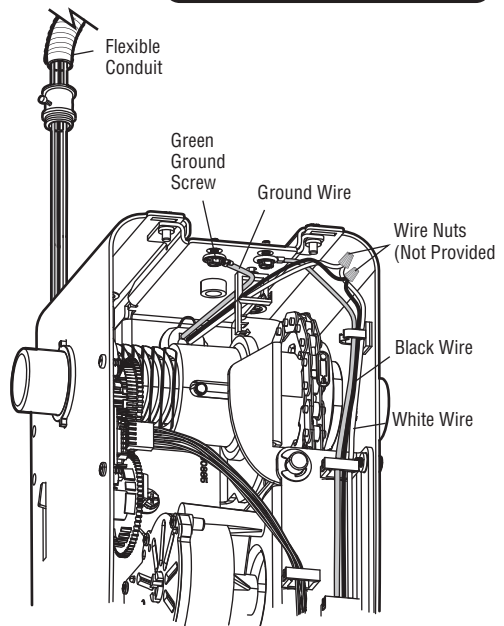
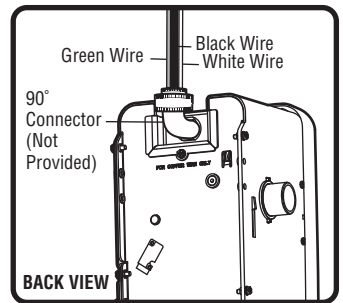
To make a permanent connection through the 7/8 inch hole in the back of the garage door opener (according to local code):

1. Be sure power is NOT connected to the opener, and disconnect power to circuit.
2. Remove the garage door opener from the torsion bar, remove cover screws and set the cover aside.
3. Cut the line cord 6" (15.2 cm) above the strain relief.
4. Squeeze the strain relief and push into motor unit, then remove the strain relief from the line cord.
5. Install a 90° conduit (not provided) or flex cable adapter (not provided) to the 7/8" hole. Reinstall garage door opener to torsion bar.
6. Run wires through conduit, cut to proper length and strip insulation.
7. Strip 1/2" (1.3 cm) of insulation from the existing black, white and green wires.
8. Connect the line to the black wire and neutral to the white wire with wire nuts (not provided). Connect ground wire to the green ground screw.
9. Properly secure wires under plastic ties so that they do not come into contact with moving parts.
10. Reinstall cover.

## WARNING

To prevent possible SERIOUS INJURY or DEATH from electrocution or fire:

- Be sure power is NOT connected to the opener, and disconnect power to circuit BEFORE removing cover to establish permanent wiring connection.
- Garage door installation and wiring MUST be in compliance with ALL local electrical and building codes.
- NEVER use an extension cord, 2-wire adapter or change plug in ANY way to make it fit outlet. Be sure the opener is grounded.



# Connect With Your Smartphone

## Before You Begin

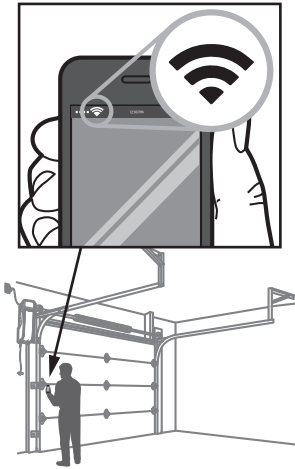
You will need:

- Wi-Fi enabled smartphone, tablet or laptop
- Broadband Internet Connection
- Wi-Fi signal in the garage (2.4 Ghz, 802.11b/g/n required)
- Password for your Wi-Fi network (main network, not a guest network)



## Test the Wi-Fi Signal Strength

Make sure your mobile device is connected to your Wi-Fi network. Hold your mobile device in the place where your garage door opener is installed and check the Wi-Fi signal strength.



### Check Signal Strength. If you see:



#### Wi-Fi signal is strong.

The garage door opener will connect to your Wi-Fi network.



#### Wi-Fi signal is weak.

The garage door opener may connect to your Wi-Fi network. If not, try one of the options below to improve the Wi-Fi signal.



#### No Wi-Fi signal.

The garage door opener will not be able to connect to your Wi-Fi network. Try one of the options below to improve the Wi-Fi signal:

- Move your router closer to the garage door opener to minimize interference from walls and other objects
- Buy a Wi-Fi range extender

**For compatible router specifications and help, visit [WiFiHelp.LiftMaster.com](http://WiFiHelp.LiftMaster.com).**

**Proceed to page 7.**

# Connect With Your Smartphone

## Connect Your Garage Door Opener to Your Home Wi-Fi Network

Get connected and control your garage door opener with the MyQ app. The garage door opener must run through a complete cycle before it will activate Wi-Fi programming.

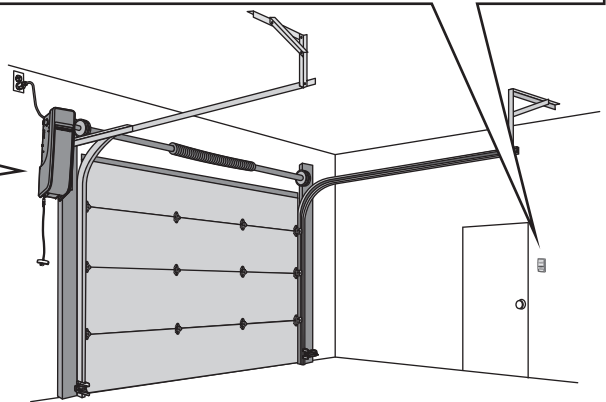
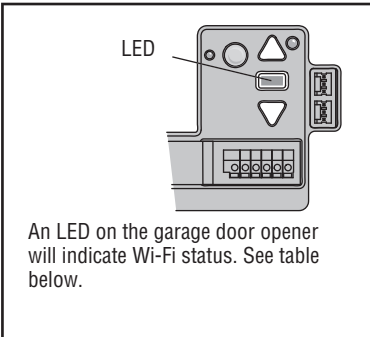
**For help related to Wi-Fi, visit [WiFiHelp.LiftMaster.com](http://WiFiHelp.LiftMaster.com).**

1. Use the Smart Control Panel<sup>®</sup>, go to Menu > Program > Wi-Fi Setup. The garage door opener will beep once. You have 20 minutes to complete the connection process.
2. On your mobile device, go to Settings > Wi-Fi and select the network with the "MyQ-" prefix.
3. Launch the web browser on your smartphone or tablet. Enter [setup.myqdevice.com](http://setup.myqdevice.com) into the browser address bar. Follow the on screen prompts to connect the garage door opener to your Wi-Fi network. The MyQ serial number will display on screen. Write the serial number in the space below.

4. Download the MyQ app from the App Store<sup>®</sup> or Google Play<sup>™</sup> store. Sign up for your MyQ account and add the MyQ serial number to your account.

To add a second Wi-Fi garage door opener, repeat steps 1-3. Add the second MyQ serial number to your account in the MyQ app.

If you are unsuccessful adding your device, try an alternate web browser.



| LED            | Definition  |
|----------------|---|
| Blue           | <b>Off</b> - Wi-Fi is not turned on.<br><b>Blinking</b> - Garage door opener is in Wi-Fi learn mode.<br><b>Solid</b> - Mobile device connected to the garage door opener. |
| Blue and Green | <b>Blinking</b> - Attempting to connect to router.  |
| Green          | <b>Blinking</b> - Attempting to connect to the Internet server.<br><b>Solid</b> - Wi-Fi has been set up and garage door opener is connected to the internet.              |

# Programming

## 893MAX Remote Control

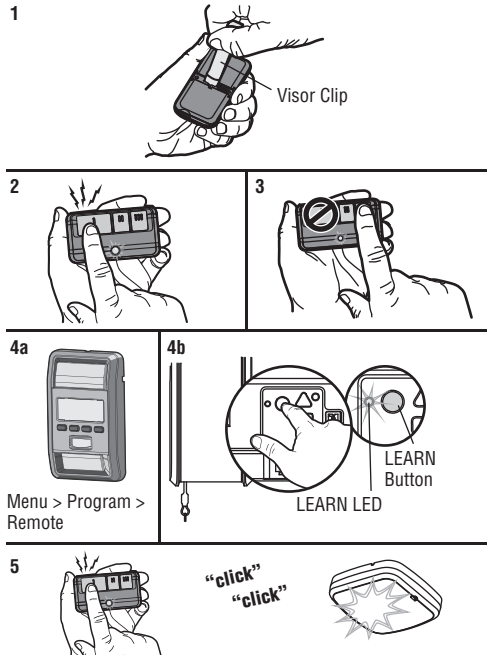
Below are the steps to program a new or existing remote control. Test remote control before reprogramming.

1. Press and hold the program button on the remote control until the LED on the front of the remote control turns on.
2. Press and release the remote control button you wish to use.
3. Press any remote control button except the button that was just programmed.
- 4a. Select Menu > Program > Remote and follow the on screen prompts.

**OR**

- 4b. Press and release the LEARN button on the garage door opener. The Learn LED will light. Within 30 seconds...
5. Press the remote control button programmed in step 2 until the garage door opener light flashes or two clicks are heard.

To program other types of remote controls or keyless entries see the instructions included with the device or visit [LiftMaster.com](http://LiftMaster.com).



## Wireless Keypad

Refer to the instructions provided with your keyless entry or go to [LiftMaster.com](http://LiftMaster.com) to download instructions.

## To Erase the Memory

### Erase ALL Remote Controls and Keyless Entries

Press and hold the LEARN button until the LED goes out (approximately 6 seconds).

All remote controls and keyless entries are now erased.

### Erase ALL Devices (Including MyQ enabled accessories)

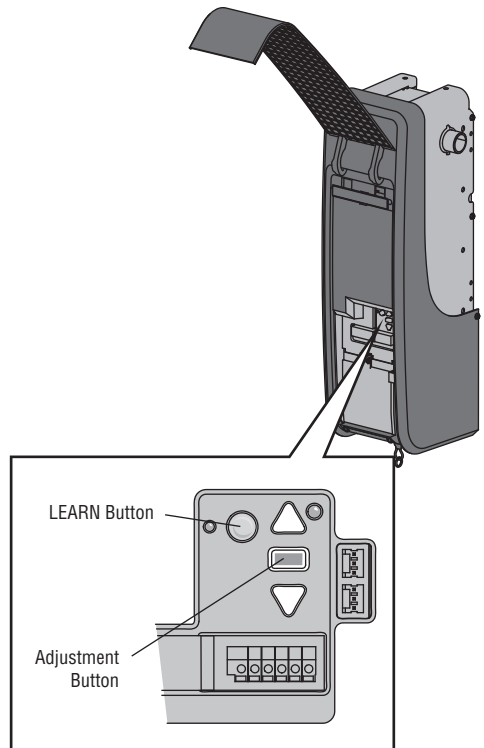
1. Press and hold the LEARN button until the LED goes out (approximately 6 seconds).
2. Immediately press and hold the LEARN button until the LED goes out. All codes are now erased.

### Erase the Wi-Fi Network from the Garage Door Opener

Press and hold the adjustment button until 3 beeps are heard (approximately 6 seconds).

### Erase a MyQ Account

Go to [myLiftMaster.com](http://myLiftMaster.com) to delete your MyQ account.





# Programming

## Program the MyQ LED Remote Light

MyQ Remote LED Light must be installed to enable use of Timer To Close or MyQ Smartphone Control of the door.

Your garage door opener remote light has already been programmed at the factory to operate with your opener. Any additional or replacement remote lights will need to be programmed.

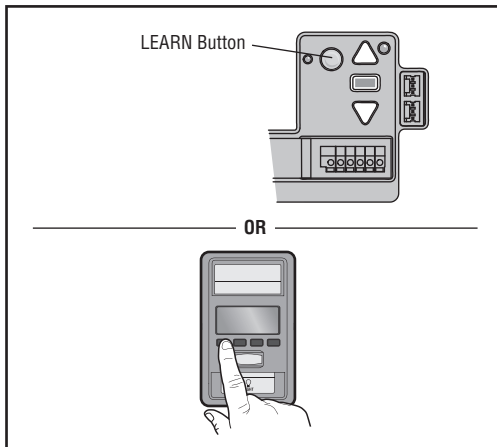
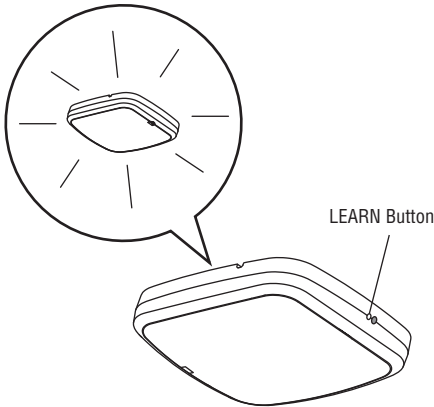
1. Press the LEARN button on the light until the green LED comes ON.
2. Press the LEARN button on the garage door opener.

### OR

On the Smart Control Panel, go to Menu > Program > MyQ Device.

3. The code has been programmed when the remote light blinks once.

**NOTE:** The LED light is very bright and will blink while programming. DO NOT stare at the light while on a ladder.



## HomeLink®

**In the rare case the HomeLink system does not program with the Security+ 2.0 Garage door opener, install a repeater kit. Refer to HomeLink Instructions Below.**

HomeLink is the in-vehicle system. The image used is for reference only and your product may look different.

### WHEN TO INSTALL A HOMELINK REPEATER KIT

All 2006 and Older vehicles – A repeater kit is required and must be purchased by the homeowner.

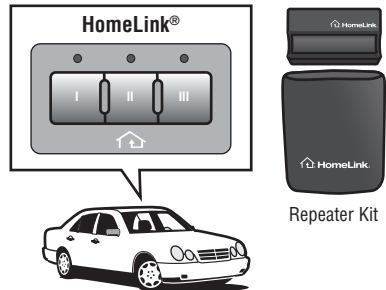
All 2007 and Newer vehicles – Program the HomeLink according to the vehicle instructions. If after ONE attempt to program the HomeLink to the garage door opener and you are unsuccessful, install a repeater.

### HOW TO ORDER

Order the HomeLink repeater kit from an installer or call 1-800-355-3515. To program the HomeLink repeater kit, refer to the instructions provided in the kit or visit: <http://www.homelink.com/program>.

### INSTALLATION QUICK FACTS

- Only one repeater kit is required per home.
- Use different HomeLink buttons in vehicle if programming multiple cars, button 1 first car, button 2 second car... etc.
- HomeLink remote is NOT a garage door opener.
- If you are using the HomeLink repeater with a garage door opener that has a battery backup system, ensure your original garage door opener remote control is programmed to the garage door opener and place it in your glove box for use in the event of a power outage.
- The remote included in this repeater kit MUST be kept for future programming (new vehicle, new garage door opener etc).



## **WARNING**

To prevent possible **SERIOUS INJURY** or **DEATH** from a falling garage door:

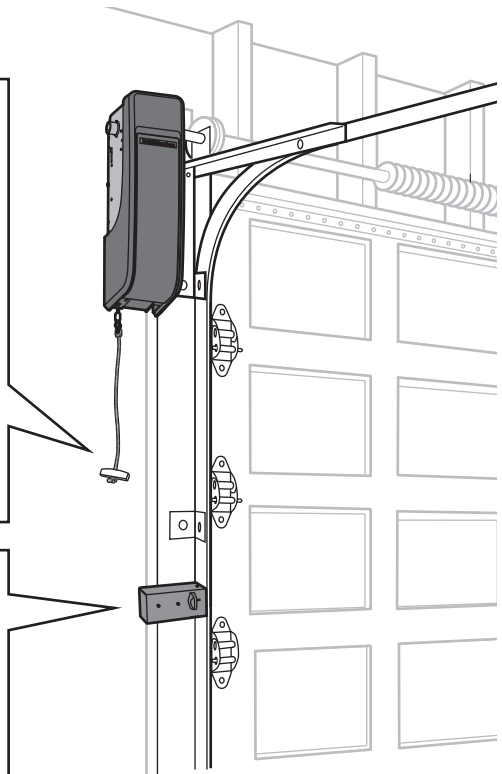
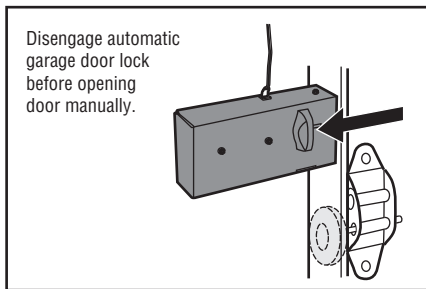
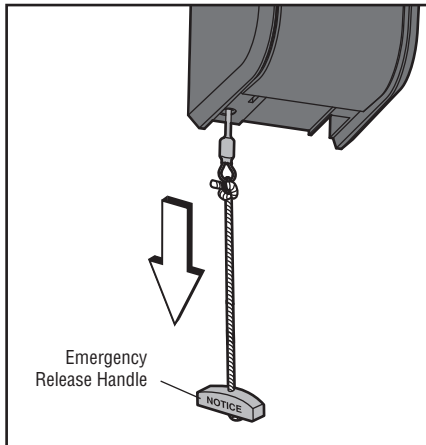
- If possible, use emergency release handle to disengage trolley **ONLY** when garage door is **CLOSED**. Weak or broken springs or unbalanced door could result in an open door falling rapidly and/or unexpectedly.
- **NEVER** use emergency release handle unless garage doorway is clear of persons and obstructions.
- **NEVER** use emergency release handle to pull door open or closed. If rope knot becomes untied, you could fall.

## To Open the Door Manually

Disengage door lock before proceeding.

1. The door should be fully closed if possible.
2. Pull down on the emergency release handle until a click noise is heard.
3. To reconnect the door to the garage door opener, pull the emergency release handle straight down a second time until a click noise is heard.

The door will reconnect on the next **UP** or **DOWN** operation.



# Operation

## Door Control



### Push Bar:

Open/Close garage door.

### Navigation Buttons:

Access menu:

Clock Setup, Timer-to-Close, Lock, Program, Temperature, Language, Light Settings, Contrast Adjust, Maintenance Alert System, and Wi-Fi Setup.

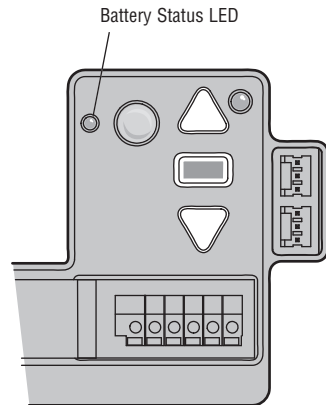
### Motion Sensor

### Light Button

## Battery Backup

The battery backup allows access in and out of your garage when the power is out. When the garage door opener is operating on battery power, the garage door opener will run slower and the lights, Timer-to-Close, and remote close features (MyQ App) are disabled. In battery backup mode, the Automatic Garage Door Lock will unlock when the garage door is opened, and will remain disabled until power is restored. During a power outage the battery supplies power for up to 24 hours of operation. For maximum battery life and prevent damage, disconnect the battery when the garage door opener is unplugged for an extended period of time.

- Solid green LED - Charged battery
- Flashing green LED - Charging battery
- Solid orange LED with beep - Operating on battery power
- Flashing orange LED with beep - Low battery
- Solid red LED with beep - Replace battery



# Operation

## The Protector System (Safety Reversing Sensors)

### **WARNING**

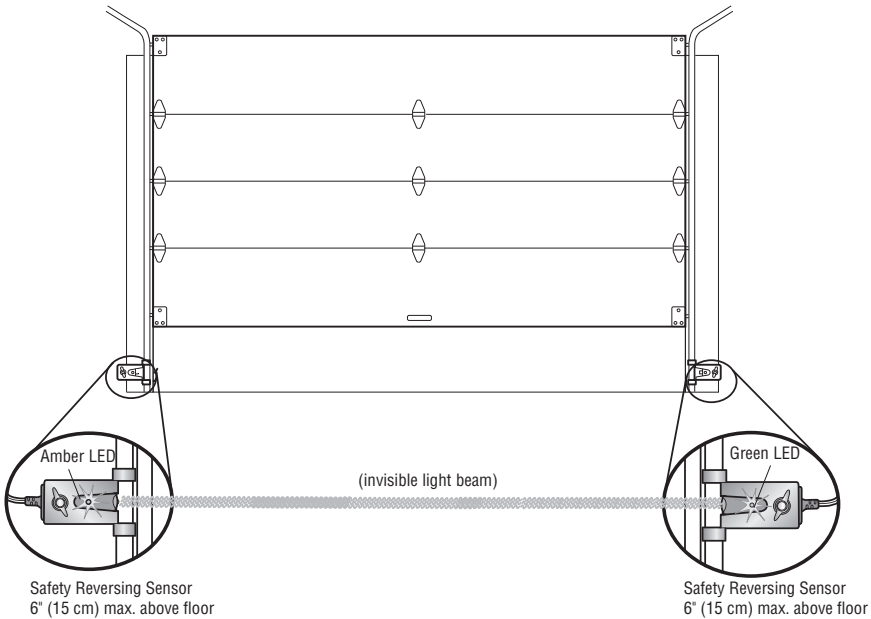
Be sure power is NOT connected to the garage door opener BEFORE installing the safety reversing sensor. To prevent SERIOUS INJURY or DEATH from closing garage door:

- Correctly connect and align the safety reversing sensor. This required safety device MUST NOT be disabled.
- Install the safety reversing sensor so beam is NO HIGHER than 6" (15 cm) above garage floor.

The safety reversing sensors must be connected and aligned correctly before the garage door opener will move in the down direction.

When the light beam is obstructed or misaligned while the door is closing, the door will reverse and the garage door opener lights will flash ten times. If the door is already open, it will not close.

The sensors can be aligned by loosening the wing nuts, aligning the sensors, and tightening the wing nuts. Check to make sure the LEDs in both sensors are glowing steadily. The LEDs in both sensors will glow steadily if they are aligned and wired correctly.



# Adjustments

## Introduction

### **WARNING**

Without a properly installed safety reversal system, persons (particularly small children) could be SERIOUSLY INJURED or KILLED by a closing garage door.

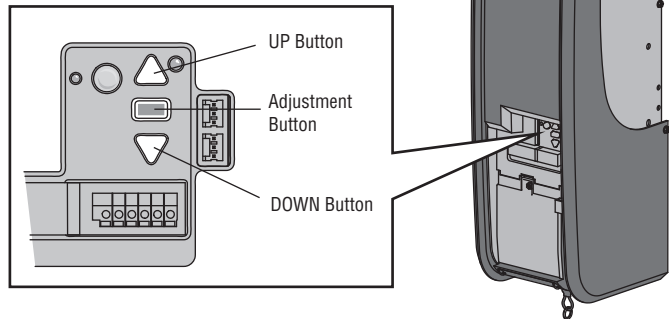
- Incorrect adjustment of garage door travel limits will interfere with proper operation of safety reversal system.
- After ANY adjustments are made, the safety reversal system MUST be tested. Door MUST reverse on contact with 1-1/2" (3.8 cm) high object (or 2x4 laid flat) on floor.

### **WARNING**

To prevent damage to vehicles, be sure fully open door provides adequate clearance.

Your garage door opener is designed with electronic controls to make setup and adjustments easy. The adjustments allow you to program where the door will stop in the open (UP) and close (DOWN) position. The electronic controls sense the amount of force required to open and close the door.

**NOTE:** *If anything interferes with the door's upward travel it will stop. If anything interferes with the door's downward travel, it will reverse.*



# Adjustments

## 1 Program the Travel

### **WARNING**

Without a properly installed safety reversal system, persons (particularly small children) could be SERIOUSLY INJURED or KILLED by a closing garage door.

- Incorrect adjustment of garage door travel limits will interfere with proper operation of safety reversal system.
- After ANY adjustments are made, the safety reversal system MUST be tested. Door must reverse on contact with 1-1/2" (3.8 cm) high object (or 2x4 laid flat) on floor.

While programming, the UP and DOWN buttons can be used to move the door as needed.

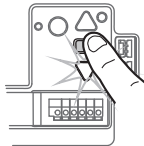
- 1.1** Press and hold the Adjustment Button until the UP Button begins to flash and/or a beep is heard.



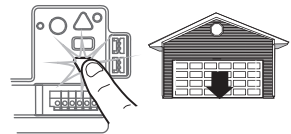
- 1.2** Press and hold the UP Button until the door is in the desired UP position.



- 1.3** Once the door is in the desired UP position press and release the Adjustment Button. The garage door opener lights will flash twice and the DOWN Button will begin to flash.



- 1.4** Press and hold the DOWN Button until the door is in the desired DOWN position.



- 1.5** Once the door is in the desired DOWN position press and release the Adjustment Button. The garage door opener lights will flash twice and the UP Button will begin to flash.



- 1.6** Press and release the UP Button. When the door travels to the programmed UP position, the DOWN Button will begin to flash.



- 1.7** Press and release the DOWN Button. The door will travel to the programmed DOWN position. Programming is complete.



If the garage door opener lights are flashing 5 times during the steps for Program the Travel, the programming has timed out. If the cable tension monitor is not installed or is sensing too much slack in the cable, the garage door opener light will flash 5 times. Ensure the cable tension monitor is correctly installed then follow the steps for Program the Travel. If the garage door opener lights are flashing 10 times during the steps for Program the Travel, the safety reversing sensors are misaligned or obstructed (refer to page 12). When the sensors are aligned and unobstructed, cycle the door through a complete up and down cycle using the remote control or the UP and DOWN buttons. Programming is complete. If you are unable to operate the door up and down, repeat the steps for Programming the Travel.

# Adjustments

## 2 Test the Safety Reversal System

### WARNING

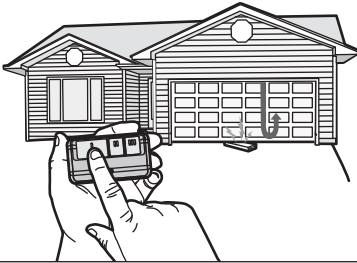
Without a properly installed safety reversal system, persons (particularly small children) could be SERIOUSLY INJURED or KILLED by a closing garage door.

- Safety reversal system **MUST** be tested every month.
- After **ANY** adjustments are made, the safety reversal system **MUST** be tested. Door **MUST** reverse on contact with 1-1/2" high (3.8 cm) object (or 2x4 laid flat) on the floor.

- 2.1** With the door fully open, place a 1-1/2 inch (3.8 cm) board (or a 2x4 laid flat) on the floor, centered under the garage door.



- 2.2** Press the remote control push button to close the door. The door **MUST** reverse when it makes contact with the board.



If the door stops but does not reverse:

1. Review the installation instructions provided to insure all steps were followed;
2. Repeat Program the Travel (see Adjustment Step 1);
3. Repeat the Safety Reversal test.

If the test continues to fail, call a trained door systems technician.

## 3 Test the Protector System

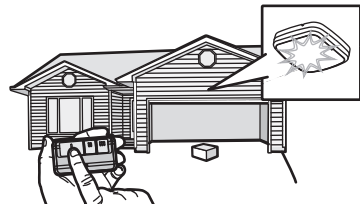
### WARNING

Without a properly installed safety reversing sensor, persons (particularly small children) could be SERIOUSLY INJURED or KILLED by a closing garage door.

- 3.1** Open the door. Place an obstruction in the path of the door.



- 3.2** Press the remote control push button to close the door. The door will not move more than an inch (2.5 cm), and the garage door opener lights will flash 10 times.



The garage door opener will not close from a remote control if the LED in either safety reversing sensor is off (alerting you to the fact that the sensor is misaligned or obstructed).

If the garage door opener closes the door when the safety reversing sensor is obstructed (and the sensors are no more than 6 inches [15 cm] above the floor), call for a trained door systems technician.

# Maintenance

## Maintenance Schedule

### EVERY MONTH

- Manually operate door. If it is unbalanced or binding, call a trained door systems technician.
- Check to be sure door opens and closes fully. Adjust if necessary, see page 14.
- Test the safety reversal system. Adjust if necessary, page 15.

### EVERY YEAR

- Oil door rollers, bearings and hinges. The garage door opener does not require additional lubrication. Do not grease the door tracks.
- Test the battery backup and consider replacing the battery to ensure the garage door opener will operate during an electrical power outage.

### Testing the Battery Backup:

1. Unplug the garage door opener from AC power. The battery status LED will glow solid orange (opener is operating on battery power) or will flash (low battery power).
2. Open and close the door using the remote control or door control.
3. In battery backup mode, the Automatic Garage Door Lock will unlock when the garage door is opened, and will remain disabled until power is restored.
4. Plug in the garage door opener. Verify the battery status LED is flashing green (battery is charging).

### MyQ LED REMOTE LIGHT

- Unplug the light before cleaning.
- Use a lightly dampened cloth for cleaning.
- DO NOT use liquid cleaners on the light lens.

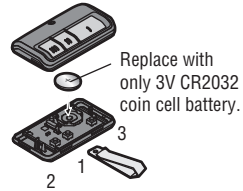
## The Remote Control Battery

### WARNING

To prevent possible SERIOUS INJURY or DEATH:

- NEVER allow small children near batteries.
  - If battery is swallowed, immediately notify doctor.
- To reduce risk of fire, explosion or chemical burn:
- Replace ONLY with 3V CR2032 coin batteries.
  - DO NOT recharge, disassemble, heat above 212°F (100°C) or incinerate.

Pry open the case first in the middle (1), then at each side (2 and 3) with visor clip.



Replace with only 3V CR2032 coin cell battery.

**NOTICE:** This device complies with Part 15 of the FCC rules and Industry Canada's license-exempt RSSs. Operation is subject to the following two conditions: (1) this device may not cause harmful interference, and (2) this device must accept any interference received, including interference that may cause undesired operation.

Any changes or modifications not expressly approved by the party responsible for compliance could void the user's authority to operate the equipment.

This device must be installed to ensure a minimum 20 cm (8 in.) distance is maintained between users/bystanders and device.

This device has been tested and found to comply with the limits for a Class B digital device, pursuant to part 15 of the FCC rules and Industry Canada ICES standard. These limits are designed to provide reasonable protection against harmful interference in a residential installation. This equipment generates, uses and can radiate radio frequency energy and, if not installed and used in accordance with the instructions, may cause harmful interference to radio communications. However, there is no guarantee that interference will not occur in a particular installation. If this equipment does cause harmful interference to radio or television reception, which can be determined by turning the equipment off and on, the user is encouraged to try to correct the interference by one or more of the following measures:

- Reorient or relocate the receiving antenna.
- Increase the separation between the equipment and receiver.
- Connect the equipment into an outlet on a circuit different from that to which the receiver is connected.
- Consult the dealer or an experienced radio/TV technician for help.



# Troubleshooting

## **The garage door opener doesn't operate from either the door control or the remote control:**

- Does the garage door opener have electric power? Plug a lamp into the outlet. If it doesn't light, check the fuse box or the circuit breaker. (Some outlets are controlled by a wall switch.)
- Have you disabled all door locks? Review installation instruction warnings on page 3.
- Is there a build-up of ice or snow under the door? The door may be frozen to the ground. Remove any restriction.
- The garage door spring may be broken. Have it replaced.

## **My remote control will not activate the garage door:**

- Verify the lock feature is not activated on the door control.
- Reprogram the remote control.
- If the remote control will still not activate the door check the diagnostic codes to ensure the garage door opener is working properly.

## **The remote control has short range:**

- Change the location of the remote control in your car.
- Some installations may have shorter range due to a metal door, foil backed insulation, or metal garage siding.

## **The door doesn't open completely:**

- Check power door lock.
- Is something obstructing the door? Is it out of balance, or are the springs broken? Remove the obstruction or repair the door.

## **The door opens but won't close:**

- Check cable tension monitor. If a 2nd cable tension monitor has been removed, unplug and plug in the garage door opener twice to reset it.
- If the garage door opener lights blink, check the safety reversing sensors (see page 12).
- If the garage door opener lights don't blink and it is a new installation see Adjustment Step 1. For an existing installation, see below.

Repeat the safety reverse test after the adjustment is complete.

## **The door reverses for no apparent reason and garage door opener lights don't blink:**

- Check cable tension monitor (see Installation Step 4). If a 2nd cable tension monitor has been removed, unplug and plug in the garage door opener twice to reset it.
- Is something obstructing the door? Pull the emergency release handle. Operate the door manually. If it is unbalanced or binding, call a trained door systems technician.
- Clear any ice or snow from the garage floor area where the door closes.
- Review Adjustment Step 1.

Repeat safety reverse test after adjustments.

## **My door will not close and the light blinks:**

The safety reversing sensor must be connected and aligned correctly before the garage door opener will move in the down direction.

- Verify the safety sensors are properly installed, aligned and free of any obstructions.

## **The garage door opener strains to operate door:**

- The door may be out of balance or the springs may be broken. Close the door and use the emergency release handle to disconnect the door. Open and close the door manually. A properly balanced door will stay in any point of travel while being supported entirely by its springs. If it does not, disconnect the garage door opener and call a trained door systems technician.

## **The garage door opener motor hums briefly, then won't work:**

- The garage door springs may be broken. See above.
- If the problem occurs on the first operation of the garage door opener, door may be locked. Disable the power door lock.

## **The garage door opener won't operate due to power failure:**

- Manually open the power door lock.
- Use the emergency release handle to disconnect the door. The door can be opened and closed manually. When power is restored, pull manual release a second time.
- When in Battery Backup mode, the opener should be able to operate up to 20 times.

## **Door loses limits:**

- Collar not tightened securely. Tighten collar and reprogram limits (see Adjustment Step 1).

## **The garage door opener moves when the door is in operation:**

- Some minor movement is normal for this product. If it is excessive the collar will wear prematurely.
- Check to make sure the torsion bar is not moving left/right excessively.
- Check to make sure the torsion bar is not visibly moving up and down as it rotates.
- Check that the opener is mounted at a right angle to the jackshaft. If not, move the position of the mounting bracket.

## **The garage door is beeping and the red LED is flashing:**

The battery charge is low or the battery is dead.

- Replace the battery.

## **MyQ Smartphone Control, wireless MyQ devices, and Timer-To-Close will not work:**

- When in Battery Backup mode, MyQ Smartphone Control, wireless MyQ devices and Timer-To-Close will be disabled.
- MyQ Remote LED Light must be installed to enable use of Timer-to-Close or MyQ Smartphone Control of the door. Plug in the MyQ Remote LED Light and make sure it is programmed to the garage door opener. It may take up to 5 minutes to enable Timer-to-Close and MyQ Smartphone Control.

## **Automatic door lock connector will not fit the door opener plug:**

Older model 24V door locks are incompatible. Use automatic door lock model 841LM.

## **Automatic garage door lock does not activate when garage door opens or closes:**

In battery backup mode, the automatic garage door lock will unlock when the garage door is opened, and will remain disabled until power is restored.

# Automatic Garage Door Opener Safety & Maintenance Guide

## Garage Door Opener Safety – An Automatic Decision

A garage door is the largest moving object in the home. An improperly adjusted garage door and opener can exert deadly force when the door closes – which could lead to entrapment of children or adults and subsequent injury or death.

Proper installation, operation, maintenance, and testing of the garage door and automatic opener are necessary to provide a safe, trouble-free system.

Careless operation or allowing children to play with or use garage door opener controls are also dangerous situations that can lead to tragic results. A few simple precautions can protect your family and friends from potential harm.

Please review the safety and maintenance tips in this guide carefully and keep it for reference. Check the operation of your garage door and opener to ensure they function in a safe and trouble-free manner.

Be sure to read all Important Safety Information found in your garage door opener's manual as it provides more details and safety considerations than can be supplied with this guide.

## Garage Door Openers are Not Toys

Discuss garage door and opener safety with your children. Explain the danger of being trapped under the door.



**Stay away from a moving door.**



**Keep transmitters and remote controls out of reach of children.** Do not let children play with or use transmitters or other remote control devices.



**The wall-mounted push button should be out of reach of children,** at least 5 feet from the nearest standing surface and away from all moving parts. Mount and use the button where you can clearly see the closing garage door.



**Keep the door in sight until it completely closes** when using the wall-mounted push button or transmitter.

# Routine Maintenance Can Prevent Tragedies

Make monthly inspection and testing of your garage door and opener system a part of your regular routine. Review your owner's manual for both the door and door opener. If you don't have the owner's manuals, contact the manufacturer(s) and request a copy for your specific model(s). Look for the opener model number on the back of the power unit.



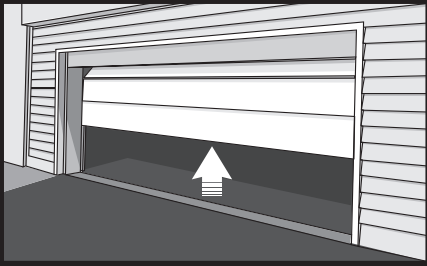
**WARNING – Springs are under high tension. Only qualified individuals should adjust them.**

## Visually check the door and installation:



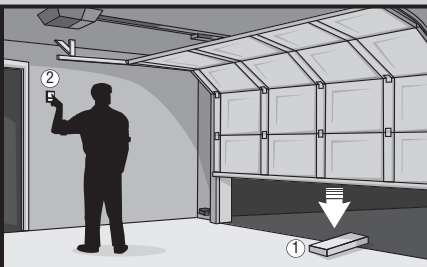
- Starting with the door in the closed position, use the manual disconnect on the opener to disconnect the door.
- Look for signs of wear or damage on hinges, rollers, springs, and door panels.
- These parts may require periodic lubrication. Check the owner's manual for suggested maintenance.
- If any signs of damage are evident, contact a trained door systems technician for assistance.
- Verify the photoeye height is no higher than 6" from the garage floor.

## Test the door for proper operation:



- Open and close the door manually using handles or suitable gripping points.
- The door should move freely and without difficulty.
- **The door should balance and stay partially open 3–4 feet above the floor.**
- If you detect any signs of improper operation, contact a trained door systems technician for assistance.

## Test the opener safety features:



- Reconnect the opener to the door using the manual disconnect and open the door.
- Place a 2x4 board flat in the path of the door (1) and try to close it (2). The door should stop when it comes in contact with the 2x4 and then reverse direction.
- Block the photoelectric sensor by waving an object in front of the sensor and attempt to close the door. The door should not close unless the wall-mounted push button is manually held during operation.
- If the opener does not perform as described, contact a trained door systems technician for assistance.

# Repair Parts

To see repair parts for your garage door opener, identify the model number on the end panel of the opener and visit [LiftMaster.com/Customer-Support](http://LiftMaster.com/Customer-Support) to download or print the installation manual.

# Warranty

## LIFTMASTER® LIMITED WARRANTY

LiftMaster (“Seller”) warrants to the first retail purchaser of this product, for the residence in which this product is originally installed, that it is free from defects in materials and/or workmanship for a specific period of time as defined below (the “Warranty Period”). The warranty period commences from the date of purchase.

| WARRANTY PERIOD |          |             |                |
|-----------------|----------|-------------|----------------|
| Parts           | Motor    | Accessories | Battery Backup |
| 5 Years         | Lifetime | 1 year      | 1 year         |

The proper operation of this product is dependent on your compliance with the instructions regarding installation, operation, and maintenance and testing. Failure to comply strictly with those instructions will void this limited warranty in its entirety.

If, during the limited warranty period, this product appears to contain a defect covered by this limited warranty, call 1-800-528-9131, toll free, before dismantling this product. You will be advised of disassembly and shipping instructions when you call. Then send the product or component, pre-paid and insured, as directed to our service center for warranty repair. Please include a brief description of the problem and a dated proof-of-purchase receipt with any product returned for warranty repair. Products returned to Seller for warranty repair, which upon receipt by Seller are confirmed to be defective and covered by this limited warranty, will be repaired or replaced (at Seller’s sole option) at no cost to you and returned pre- paid. Defective parts will be repaired or replaced with new or factory-rebuilt parts at Seller’s sole option. [You are responsible for any costs incurred in removing and/or reinstalling the product or any component].

**ALL IMPLIED WARRANTIES FOR THE PRODUCT, INCLUDING BUT NOT LIMITED TO ANY IMPLIED WARRANTIES OF MERCHANTABILITY AND FITNESS FOR A PARTICULAR PURPOSE, ARE LIMITED IN DURATION TO THE APPLICABLE LIMITED WARRANTY PERIOD SET FORTH ABOVE FOR THE RELATED COMPONENT(S), AND NO IMPLIED WARRANTIES WILL EXIST OR APPLY AFTER SUCH PERIOD. Some States and Provinces do not allow limitations on how long an implied warranty lasts, so the above limitation may not apply to you. THIS LIMITED WARRANTY DOES NOT COVER NON-DEFECT DAMAGE, DAMAGE CAUSED BY IMPROPER INSTALLATION, OPERATION OR CARE (INCLUDING, BUT NOT LIMITED TO ABUSE, MISUSE, FAILURE TO PROVIDE REASONABLE AND NECESSARY MAINTENANCE, UNAUTHORIZED REPAIRS OR ANY ALTERATIONS TO THIS PRODUCT), LABOR CHARGES FOR REINSTALLING A REPAIRED OR REPLACED UNIT, REPLACEMENT OF CONSUMABLE ITEMS (E. G., BATTERIES IN REMOTE CONTROL TRANSMITTERS AND LIGHT BULBS), OR UNITS INSTALLED FOR NON-RESIDENTIAL USE. THIS LIMITED WARRANTY DOES NOT COVER ANY PROBLEMS WITH, OR RELATING TO, THE GARAGE DOOR OR GARAGE DOOR HARDWARE, INCLUDING BUT NOT LIMITED TO THE DOOR SPRINGS, DOOR ROLLERS, DOOR ALIGNMENT OR HINGES. THIS LIMITED WARRANTY ALSO DOES NOT COVER ANY PROBLEMS CAUSED BY INTERFERENCE. UNDER NO CIRCUMSTANCES SHALL SELLER BE LIABLE FOR CONSEQUENTIAL, INCIDENTAL OR SPECIAL DAMAGES ARISING IN CONNECTION WITH USE, OR INABILITY TO USE, THIS PRODUCT. IN NO EVENT SHALL SELLER’S LIABILITY FOR BREACH OF WARRANTY, BREACH OF CONTRACT, NEGLIGENCE OR STRICT LIABILITY EXCEED THE COST OF THE PRODUCT COVERED HEREBY. NO PERSON IS AUTHORIZED TO ASSUME FOR US ANY OTHER LIABILITY IN CONNECTION WITH THE SALE OF THIS PRODUCT.**

Some states and provinces do not allow the exclusion or limitation of consequential, incidental or special damages, so the above limitation or exclusion may not apply to you. This limited warranty gives you specific legal rights, and you may also have other rights, which vary from state to state and province to province.

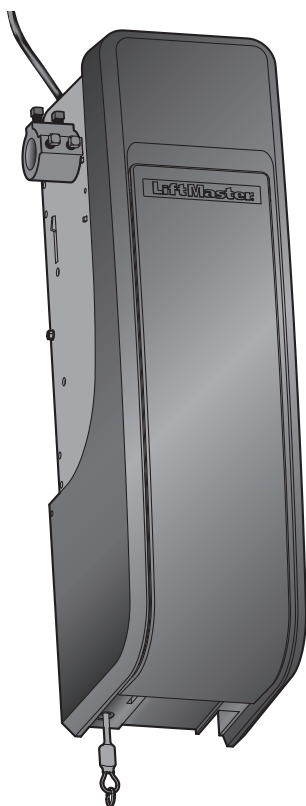
Wi-Fi® is a registered trademark of Wi-Fi Alliance.

App Store is a service mark of Apple Inc.

Google Play is a trademark of Google Inc.

© 2017, LiftMaster

All Rights Reserved



# LiftMaster®

## GUIDE DE L'UTILISATEUR

POUR RÉSIDENCES SEULEMENT

INSTALLER EN LES PORTES DE  
SECTIONNELLE AVEC ENSEMBLES DE  
TORSION SEULEMENT

### Ouvre-porte de garage Wi-Fi® à montage mural Modèle 8500W

Ce produit est prévu pour être installé uniquement par des techniciens formés en installation de portes de garage. Ce produit peut requérir des ajustements des ressorts de la porte ou des configurations des rails. Ce produit n'est pas prévu pour être utilisé sur des rails à faible dégagement au plafond avec tambour à l'extérieur ou sur les portes de garage utilisant des ressorts d'extension.

- Lire attentivement ce manuel ainsi que les consignes de sécurité!
- La porte NE SE FERMERA PAS tant que le moniteur de tension de câble et le système de protection Protector System® ne seront pas connectés et correctement alignés.
- Des vérifications périodiques de l'ouvre-porte de garage sont requises pour garantir un fonctionnement sécuritaire du dispositif.
- Le numéro de modèle est situé sur le couvercle avant de l'actionneur.
- Cet ouvre-porte de garage est compatible UNIQUEMENT avec les accessoires MyQ® et Security+ 2.0®.

**Enregistrez votre ouvre-porte de garage pour recevoir des mises à jour et des offres de LiftMaster  
OU enregistrez votre ouvre-porte à [www.prodregister.com/LiftMaster](http://www.prodregister.com/LiftMaster)**



1 ► Prenez une photo de l'icône d'appareil-photo, y compris les points (⊙).

2 ► Envoyez la photo par message textuel à 71403 (É.-U.) ou allez à [www.liftmaster.photo](http://www.liftmaster.photo) (mondial)



[LiftMaster.com](http://LiftMaster.com)

LiftMaster  
300 Windsor Drive  
Oak Brook, IL 60523

# Matières

|  |       |
|--|-------|
| Important consignes de sécurité .....  | 3-4   |
| Connectez-vous votre téléphone intelligent .....                             | 5-6   |
| Tester la puissance du signal Wi-Fi .....                                    | 5     |
| Connecter l'ouvre-porte de garage au réseau Wi-Fi de votre domicile .....    | 6     |
| Programmation.....   | 7-8   |
| 893MAX Télécommande .....  | 7     |
| Clavier sans fil .....   | 7     |
| Pour effacer la mémoire .....  | 7     |
| Programmer la télécommande d'éclairage à DEL MyQ .....                       | 8     |
| HomeLink .....   | 8     |
| Fonctionnement .....   | 9-11  |
| Ouverture manuelle de la porte .....   | 9     |
| Commande de porte .....  | 10    |
| Pile de secours .....  | 10    |
| Protector System (Capteur d'inversion de sécurité).....                      | 11    |
| Réglages .....   | 12-14 |
| Introduction .....   | 12    |
| Programmation de la course .....   | 13    |
| Essai du système d'inversion de sécurité .....                               | 14    |
| Essai du Protector System .....  | 14    |
| Entretien.....   | 15    |
| Dépannage.....   | 16-17 |
| Guide de sécurité et d'entretien de l'ouvre-porte de garage automatique..... | 18-19 |
| Pièces de réparation .....   | 20    |
| Garantie .....   | 20    |

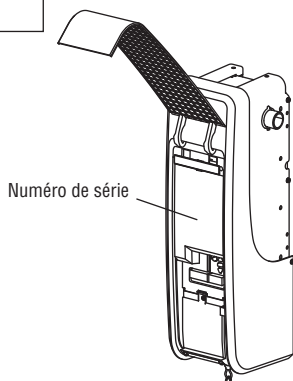
## myQ Numéro de série :

Veuillez noter les renseignements suivants pour référence ultérieure :

Numéro de série MyQ :

Numéro de série :

Date d'achat :



## Revue des symboles de sécurité et des mots de signalement

Cet ouvre-porte de garage a été conçu et mis à l'essai dans le but d'offrir un service sûr à condition qu'il soit installé, utilisé, entretenu et mis à l'essai en stricte conformité avec les instructions et les avertissements contenus dans le présent manuel.

Lorsque vous verrez ces symboles de sécurité et ces mots de signalement sur les pages suivantes, ils vous aviseront de la possibilité de **blessures graves ou de mort** si vous ne vous conformez pas aux avertissements qui les accompagnent. Le danger peut être de source mécanique ou provenir d'un choc électrique. Lisez attentivement les avertissements.

 **AVERTISSEMENT**

Mécanique

 **AVERTISSEMENT**

Électrique

Lorsque vous verrez ce mot de signalement sur les pages suivantes, il vous avisera de la possibilité de dommages à votre porte de garage ou ouvre-porte de garage, ou les deux, si vous ne vous conformez pas aux énoncés de mise en garde qui l'accompagnent. Prière de les lire attentivement.

**ATTENTION**



**AVERTISSEMENT** : Ce produit peut vous exposer à des produits chimiques comme le plomb, reconnu par l'État de la Californie comme cause de cancers, d'anomalies congénitales et d'autres problèmes liés à la reproduction. Pour plus d'informations, visitez [www.P65Warnings.ca.gov](http://www.P65Warnings.ca.gov)

## Fonctionnement non surveillé

La fonction de temporisation de fermeture (TTC), l'application de commande MyQ® pour téléphone intelligent, l'ouvre-porte de garage et le moniteur MyQ® sont des exemples de fermeture non surveillée et doivent être utilisés **UNIQUEMENT** avec des portes articulées. Tout dispositif ou toute fonction qui permettent la fermeture de la porte sans visibilité directe de celle-ci constitue une fermeture non surveillée. La fonction de temporisation de fermeture (TTC), la commande MyQ® pour téléphone intelligent et tous les autres dispositifs MyQ® doivent être utilisés **UNIQUEMENT** avec des portes articulées. La lampe à DEL télécommandée MyQ doit être installée pour permettre l'utilisation de la temporisation de fermeture de la porte ou de la commande de porte MyQ par téléphone intelligent.

# IMPORTANTES INSTRUCTIONS CONCERNANT L'INSTALLATION

## AVERTISSEMENT

### Pour réduire le risque de BLESSURES GRAVES, ou MORT:

1. LIRE ET SUIVRE TOUS LES AVERTISSEMENTS ET INSTRUCTIONS.
2. Poser l'ouvre-porte de garage UNIQUEMENT sur une porte de garage bien équilibrée et lubrifiée. Une porte mal équilibrée peut ne PAS inverser sa course en cas de besoin et peut entraîner des BLESSURES GRAVES, voire MORTELLES.
3. TOUTES les réparations aux câbles, ensembles de ressort et autres ferrures DOIVENT être confiées à un technicien formé en systèmes de porte AVANT de procéder à l'installation de l'actionneur.
4. Désactiver TOUTES les serrures et retirer TOUTES les cordes raccordées à la porte de garage AVANT de poser l'ouvre-porte afin d'éviter un emmêlement.
5. Dans la mesure du possible, installer l'ouvre-porte de garage à au moins 2,13 m (7 pi) au-dessus du sol.
6. Laisser le déverrouillage de secours à portée de main, mais à au moins 1,83 m (6 pi) du sol et éviter tout contact avec des véhicules afin d'éviter tout déclenchement accidentel.
7. Ne JAMAIS raccorder l'ouvre-porte de garage à une source de courant avant d'avoir reçu l'instruction de le faire.
8. Ne JAMAIS porter de montres, bagues ou vêtements amples durant l'installation ou l'entretien de l'actionneur. Ils pourraient être happés par la porte de garage ou les mécanismes de l'ouvre-porte.
9. Poser la commande de porte murale :
  - bien en vue de la porte de garage.
  - hors de portée des jeunes enfants à une hauteur d'au moins 1,5 m (5 pi) du sol, des paliers, des marches ou de toute autre surface adjacente sur laquelle on marche.
  - à l'écart de TOUTES les pièces mobiles de la porte.
10. Installer le marquage du dispositif de déclenchement d'urgence. Attacher le marquage sur ou à proximité du dispositif de déclenchement d'urgence. Installer l'affiche d'avertissement de piégeage en regard de la commande de porte à un endroit bien visible.
11. Placer l'étiquette d'essai d'inversion de sécurité/ouverture d'urgence bien en vue sur le côté intérieur de la porte de garage.
12. Au terme de la pose, faire l'essai du système d'inversion de sécurité. La porte DOIT remonter au contact d'un objet d'une hauteur de 3,8 cm (1-1/2 de po) (ou un 2 x 4 posé à plat) sur le sol.
13. Pour éviter des BLESSURES GRAVES ou la MORT par électrocution, débranchez TOUTE alimentation électrique ainsi que les piles AVANT TOUTE intervention.
14. **CONSERVER CES INSTRUCTIONS.**

# IMPORTANTES CONSIGNES DE SÉCURITÉ

## AVERTISSEMENT

### Pour réduire le risque de BLESSURES GRAVES, ou MORT:

1. LIRE ET SUIVRE TOUS LES AVERTISSEMENTS ET INSTRUCTIONS.
2. Garder EN TOUT TEMPS la télécommande hors de portée des enfants. Ne laissez JAMAIS les enfants faire fonctionner les télécommandes ou les boutons-poussoirs de la commande de porte de garage ou jouer avec ceux-ci.
3. Actionner la porte de garage UNIQUEMENT lorsqu'on peut la voir clairement, qu'elle est bien réglée et qu'il n'y a aucune obstacle à la course de la porte.
4. Gardez TOUJOURS la porte de garage en vue toute personne ou tout objet à l'écart de la porte jusqu'à sa fermeture complète. NE JAMAIS LAISSER UNE PERSONNE TRAVERSER LA TRAJECTOIRE DE LA PORTE EN MOUVEMENT.
5. PERSONNE NE DOIT PASSER SOUS UNE PORTE ARRÊTÉE OU PARTIELLEMENT OUVERTE.
6. Si possible, utilisez la poignée de déclenchement d'urgence pour dégager le chariot UNIQUEMENT lorsque la porte de garage est FERMÉE. Faites preuve de prudence lorsque vous utilisez cette poignée lorsque la porte est ouverte. Des ressorts affaiblis ou brisés ou une porte déséquilibrée peuvent entraîner la chute rapide et/ou inattendue de la porte et accroître le risque de BLESSURES GRAVES, voire MORTELLES.
7. Ne JAMAIS utiliser la poignée de déclenchement d'urgence à moins que rien ou personne n'obstrue la trajectoire de la porte.
8. Ne JAMAIS utiliser la poignée pour ouvrir ou fermer la porte de garage. Il y a un risque de chute si le nœud de la corde se défait.
9. Après avoir effectué QUELQUE réglage que ce soit, on DOIT faire l'essai du système d'inversion de sécurité.
10. Le système d'inversion de sécurité DOIT être testé chaque mois. La porte de garage DOIT remonter au contact d'un objet d'une hauteur de 3,8 cm (1 1/2 po) (ou un 2 x 4 posé à plat) du sol. À défaut de régler l'ouvre-porte de garage correctement, le risque de BLESSURE GRAVE ou de MORT ACCIDENTELLE sera accru.
11. GARDEZ TOUJOURS LA PORTE DE GARAGE BIEN ÉQUILIBRÉE. Une porte mal équilibrée peut ne PAS inverser sa course en cas de besoin et peut entraîner des BLESSURES GRAVES, voire MORTELLES.
12. TOUTES les réparations des câbles, des ressorts et de la quincaillerie, et de TOUT ce qui se trouve sous une tension EXTRÊME, DOIVENT être confiées à des techniciens formés à cet effet.
13. TOUJOURS mettre l'ouvre-porte de garage hors tension avant d'effectuer quelque réparation que ce soit ou d'enlever des couvercles.
14. Ce système opérateur est équipé d'un dispositif de fonctionnement sans surveillance. La porte est susceptible de se mettre en mouvement inopinément. NE JAMAIS LAISSER UNE PERSONNE TRAVERSER LA TRAJECTOIRE DE LA PORTE EN MOUVEMENT.
15. **CONSERVER CES INSTRUCTIONS.**



# Alimentation

Afin de minimiser les risques de chocs électriques, le cordon d'alimentation de l'ouvre-porte de garage comporte une fiche à trois broches, dont une de mise à la terre. Cette fiche ne peut être branchée que dans une prise de courant mise à la terre. Si la fiche ne peut pas être branchée dans la prise de courant, adressez-vous à un électricien qualifié pour faire poser une prise de courant adéquate.

## OPTION A: CÂBLAGE TYPIQUE

1. Brancher l'ouvre-porte de garage dans une prise mise à la terre.
2. NE PAS faire fonctionner l'ouvre-porte de garage pour le moment.

## OPTION B: CÂBLAGE PERMANENT

Si les codes municipaux exigent une installation électrique permanente, procédez comme suit.

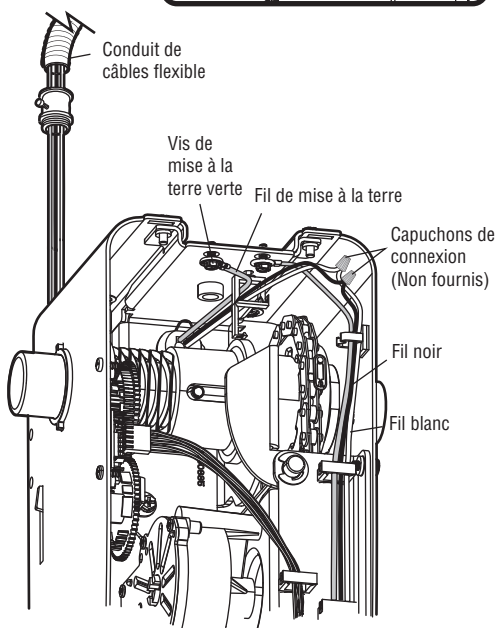
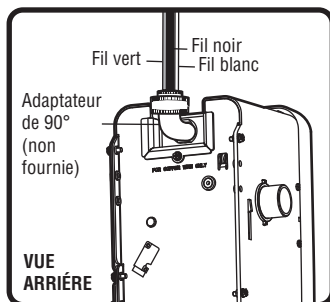
Pour procéder à un branchement permanent par le trou de 7/8 de po situé à l'arrière de l'ouvre-porte de garage (conformément au code local) :

1. S'assurer que l'ouvre-porte est hors tension et COUPER le courant au circuit.
2. Retirez l'ouvre-porte de garage de la barre de torsion, puis les vis du couvercle et mettez ce dernier de côté.
3. Couper le cordon électrique à 15,2 cm (6 po) au-dessus du protecteur de cordon.
4. Pincer le protecteur de cordon et le pousser dans l'unité du moteur, puis retirer le protecteur du cordon électrique.
5. Installer un conduit de 90° (non fourni) ou un adaptateur souple pour câble (non fourni) à l'orifice de 7/8 de po. Réinstallez l'ouvre-porte de garage sur la barre de torsion.
6. Acheminer les fils par le conduit, les couper à la bonne longueur et dénuder l'isolant.
7. Dénuder 1,3 cm (1/2 de po) d'isolant des fils noir, blanc et vert existants.
8. Connecter le cordon au fil neutre et le neutre au fil blanc avec des serre-fils (non fournis). Brancher le fil vert de terre sur la vis verte de mise à la terre.
9. Fixer correctement les fils sous les attaches en plastique pour qu'ils n'entrent pas en contact avec les pièces mobiles.
10. Remettez le couvercle en place.

## AVERTISSEMENT

Pour éviter toute blessure potentielle GRAVE voire MORTELLE par électrocution ou brûlure :

- S'assurer que l'ouvre-porte est hors tension et couper l'alimentation du circuit AVANT de retirer le couvercle pour procéder à un branchement permanent.
- La pose et le câblage de la porte de garage DOIVENT être conformes à TOUS les codes électriques et de construction locaux.
- Ne JAMAIS utiliser d'un cordon de rallonge ou d'un adaptateur bifilaire ni modifier la fiche de QUELQUE manière que ce soit pour l'insérer dans la prise. S'assurer que l'ouvre-porte est mis à la terre.



# Connectez-vous votre téléphone intelligent



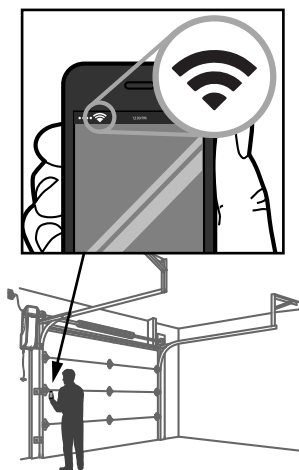
## Avant de commencer

Outils requis :

- Un téléphone intelligent, tablette ou ordinateur portable activés par Wi-Fi
- Une connexion Internet à bande large
- Un puissant signal Wi-Fi dans le garage (2,4 GHz, 802.11b/g/n exigés)
- Le mot de passe de votre réseau Wi-Fi (réseau principal, pas un réseau d'invité)

## Tester la puissance du signal Wi-Fi

Vérifier que votre appareil mobile est connecté au réseau de votre domicile. Se tenir à l'endroit où l'ouvre-porte de garage sera installé. Vérifier la puissance du signal Wi-Fi sur votre appareil mobile.



### Vérifiez la puissance du signal. Si vous voyez :



#### Le signal Wi-Fi est fort.

L'ouvre-porte de garage se connectera à votre réseau Wi-Fi.



#### Le signal Wi-Fi est faible.

L'ouvre-porte de garage pourrait se connecter à votre réseau Wi-Fi. Sinon, essayez l'une des options ci-dessous pour améliorer le signal Wi-Fi.



#### Aucun signal Wi-Fi.

L'ouvre-porte de garage ne pourra pas se connecter à votre réseau Wi-Fi. Essayez l'une des options ci-dessous pour améliorer le signal Wi-Fi :

- Rapprochez votre routeur de l'ouvre-porte réduire l'interférence des murs et des autres objets
- Achetez un prolongateur de portée Wi-Fi

**Pour prendre connaissance des caractéristiques de routeur compatible et pour obtenir de l'aide, aller à [WiFiHelp.LiftMaster.com](http://WiFiHelp.LiftMaster.com).**

**Passez à la page 7.**

# Connectez-vous votre téléphone intelligent

## Connecter l'ouvre-porte de garage au réseau Wi-Fi de votre domicile Réseau

Connectez-vous et commandez votre ouvre-porte de garage avec l'application MyQ. L'ouvre-porte de garage doit exécuter un cycle complet avant qu'il puisse activer la programmation Wi-Fi.

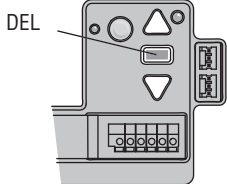
Pour une assistance concernant le Wi-Fi, visiter [WiFihelp.LiftMaster.com](http://WiFihelp.LiftMaster.com).

1. Utiliser le Smart Control Panel®, aller à Menu > Program (Programme) > Wi-Fi Setup (Configuration Wi-Fi). L'ouvre-porte de garage émettra un seul bip. Vous disposez alors de 20 minutes pour effectuer la connexion.
2. Sur votre appareil mobile, allez à Settings (Paramètres) > Wi-Fi et sélectionnez le réseau portant le préfixe « MyQ ».
3. Lancez le navigateur Web sur votre téléphone intelligent ou votre tablette. Saisissez [setup.myqdevice.com](http://setup.myqdevice.com) dans la barre d'adresse du navigateur. Suivez le menu à l'écran pour connecter l'ouvre-porte de garage au réseau Wi-Fi de votre domicile. Le numéro de série MyQ s'affichera à l'écran. Écrire le numéro de série dans l'espace ci-dessous.

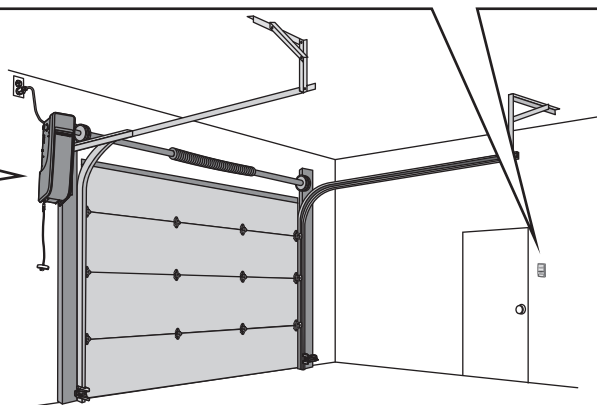
4. Téléchargez l'application MyQ à la boutique App Store® Ou Google Play™. Inscrivez-vous pour ouvrir un compte MyQ et ajoutez le numéro de série MyQ à votre compte.

Pour ajouter un deuxième ouvre-porte de garage Wi-Fi, répéter les étapes 1 à 3. Ajouter le deuxième numéro de série MyQ à votre compte dans l'application MyQ.

En cas d'échec de l'ajout de votre appareil, essayer un autre navigateur.



Une DEL sur l'ouvre-porte de garage indiquera l'état du Wi-Fi. Consultez le tableau ci-dessous.



| DEL            | Définition  |
|----------------|---|
| Bleu           | <b>Arrêt</b> - Le Wi-Fi n'est pas activé.<br><b>Clignotant</b> - Mettez l'ouvre-porte de garage en mode d'apprentissage Wi-Fi.<br><b>Allumée en continu</b> - L'appareil mobile est connecté à l'ouvre-porte de garage. |
| Bleue et verte | <b>Clignotant</b> - Tentative de connexion au routeur.  |
| Vert           | <b>Clignotant</b> - Tentative de connexion au serveur Internet.<br><b>Allumée en continu</b> - Le Wi-Fi a été configuré et l'ouvre-porte de garage est connecté à Internet.   |

# Programmation

## 893MAX Télécommande

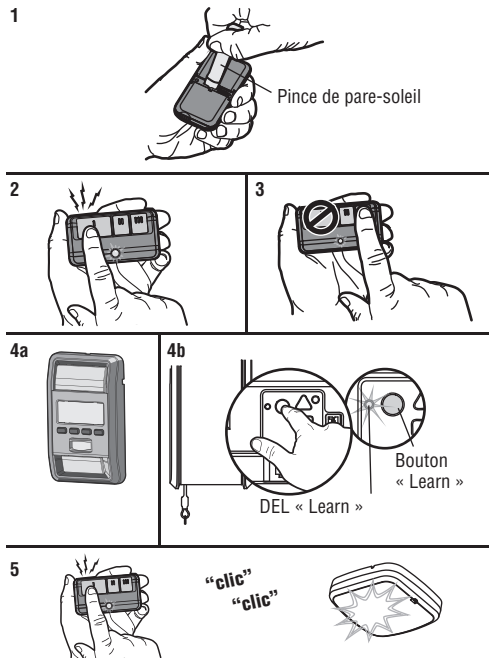
Les étapes de programmation d'une télécommande neuve ou existante sont expliquées ci-dessous. Tester la télécommande avant de la reprogrammer.

1. Appuyer sur le bouton de programmation de la télécommande et le maintenir enfoncé jusqu'à ce que la DEL à l'avant de la télécommande s'allume.
2. Appuyer sur le bouton de la télécommande que vous désirez utiliser et le maintenir enfoncé.
3. Appuyer sur n'importe quel bouton de la télécommande à l'exception du bouton qui vient d'être programmé.
- 4a. Sélectionnez Menu > Program (Programme) > Remote (Télécommande) et suivez les invites à l'écran.

**OU**

- 4b. Appuyez et relâchez le bouton « LEARN » (apprentissage) de l'ouvre-porte de garage. Le témoin DEL du bouton Learn s'allume. Dans les 30 secondes...
5. Enfoncer le bouton de la télécommande programmé à l'étape 2 jusqu'à ce que l'éclairage de l'ouvre-porte de garage clignote ou que deux clics se fassent entendre.

Pour programmer d'autres types de télécommandes ou d'émetteurs à code, voir les instructions fournies avec l'appareil ou aller à [LiftMaster.com](http://LiftMaster.com).



## Clavier sans fil

Consulter les instructions fournies avec l'émetteur à code OU aller à [LiftMaster.com](http://LiftMaster.com) pour télécharger les instructions.

## Pour effacer la mémoire

**Effacer TOUTES les télécommandes et les commandes de télédéverrouillage :**

Appuyer sur le bouton « LEARN » (apprentissage) de l'ouvre-porte de garage et le maintenir enfoncé jusqu'à ce que le témoin DEL s'éteigne (environ 6 secondes).

Tous les codes de la télécommande et de l'émetteur à code sont maintenant effacés.

**Effacer TOUTES les dispositifs (Compris les accessoires permis de MyQ) :**

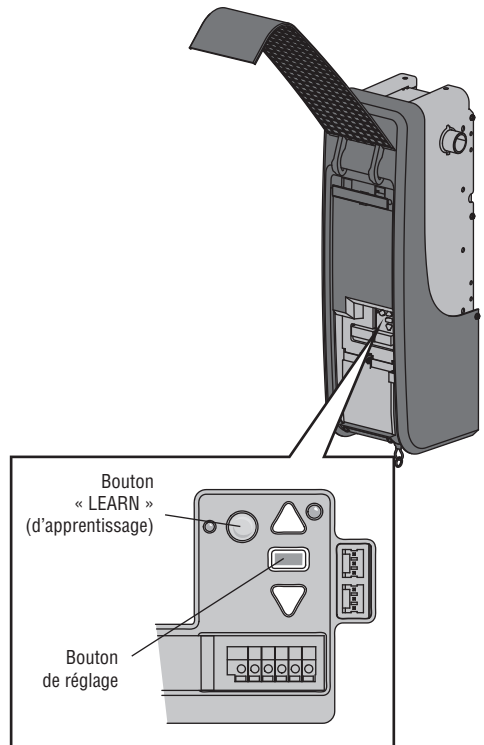
1. Appuyer sur le bouton « LEARN » de panneau de commande et le maintenir enfoncé jusqu'à ce que le témoin DEL du bouton « LEARN » s'éteigne (environ 6 secondes).
2. Appuyer immédiatement sur le bouton d'apprentissage et le maintenir enfoncé jusqu'à ce que le témoin DEL s'éteigne. Tous les codes sont maintenant effacés.

**Effacer le réseau Wi-Fi de l'ouvre-porte de garage**

Appuyez et maintenez le bouton de réglage jusqu'à 3 bips (environ 6 seconds).

**Effacer le compte MyQ**

Allez à [myLiftMaster.com](http://myLiftMaster.com) pour supprimer votre compte MyQ.



# Programmation

## Programmer la télécommande d'éclairage à DEL MyQ

La lampe à DEL télécommandée MyQ doit être installée pour permettre l'utilisation de la temporisation de fermeture de la porte ou de la commande de porte MyQ par téléphone intelligent.

L'éclairage télécommandé de votre ouvre-porte de garage a déjà été programmé en usine pour fonctionner avec l'ouvre-porte. Toute lampe télécommandée supplémentaire ou remplacée devra être programmée.

1. Appuyer sur le bouton d'apprentissage jusqu'à ce que la DEL verte s'allume.

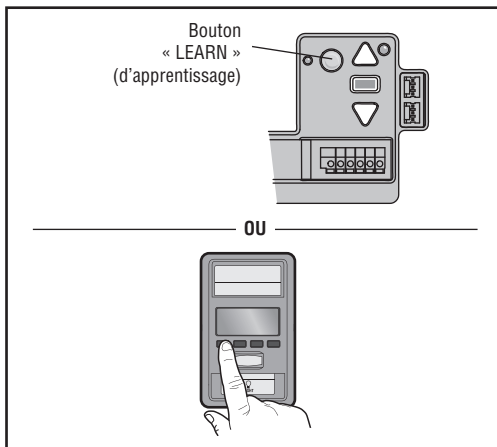
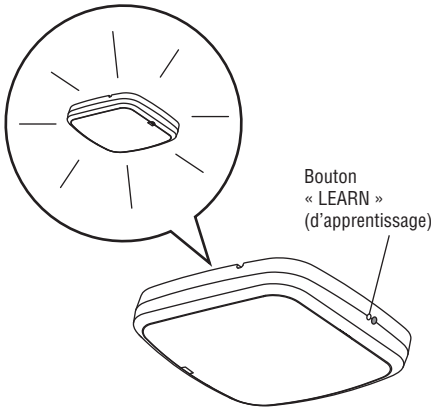
2. Appuyer sur le bouton d'apprentissage de l'ouvre-porte.

**OU**

Sur le Smart Control Panel, aller à Menu > Program > MyQ Device (Menu > Programme > Dispositif MyQ).

3. Le code a été programmé lorsque la lampe télécommandée clignote une fois.

**REMARQUE :** La DEL est très brillante et clignotera pendant la programmation. NE PAS regarder la lampe alors que vous vous trouvez dans l'échelle.



## HomeLink®

Dans l'éventualité rare où le système HomeLink ne peut être programmé avec l'ouvre-porte de garage Security+ 2.0, installer un répéteur. Se reporter aux instructions HomeLink ci-dessous.

HomeLink est le système intégré au véhicule. L'illustration n'est fournie qu'à titre de référence. Votre produit peut avoir un aspect différent.

### QUAND INSTALLER UN RÉPÉTEUR HOMELINK :

Tous les véhicules 2006 et plus anciens – Un répéteur est nécessaire et doit être acheté par le propriétaire.

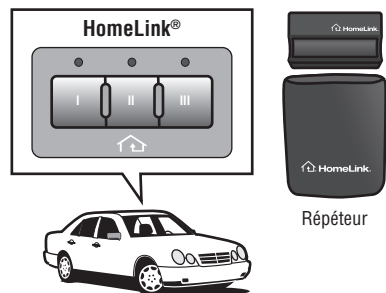
Tous les véhicules 2007 et plus récents – Programmer le système HomeLink selon les instructions fournies avec le véhicule. Après UNE tentative échouée de programmation du système HomeLink avec l'ouvre-porte de garage, installer un répéteur.

### COMMENT COMMANDER DES

Commander le répéteur HomeLink auprès d'un installateur ou composer le 1-800-355-3515. Pour programmer le répéteur HomeLink, se reporter aux instructions fournies avec le répéteur ou visiter : <http://www.homelink.com/program>.

### FAITS SUR L'INSTALLATION

- Un seul répéteur est nécessaire par foyer.
- Se servir de différents boutons HomeLink dans le véhicule pour la programmation de plusieurs véhicules, bouton 1 pour la première voiture, bouton 2 pour la deuxième voiture, etc.
- La télécommande HomeLink n'est pas un ouvre-porte de garage.
- Si vous utilisez le répéteur HomeLink avec un ouvre-porte de garage équipé d'un système d'alimentation par pile de secours, s'assurer que la télécommande originale a été programmée pour l'ouvre-porte de garage et la placer dans le coffre à gants de votre voiture pour l'utiliser en cas de panne de courant.
- La télécommande incluse dans cette trousse de répéteur DOIT être conservée pour une programmation ultérieure (c.-à-d. pour un nouveau véhicule, un nouvel ouvre-porte de garage, etc.).



## **⚠ AVERTISSEMENT**

Pour prévenir d'éventuelles BLESSURES GRAVES ou LA MORT par suite de la chute d'une porte de garage :

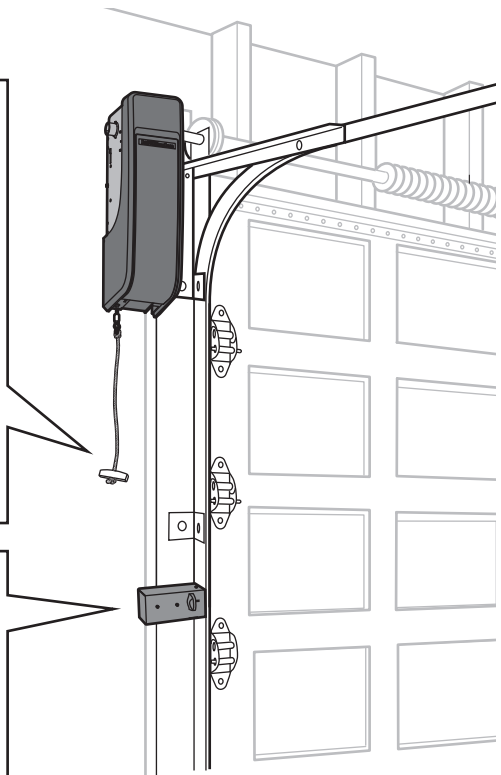
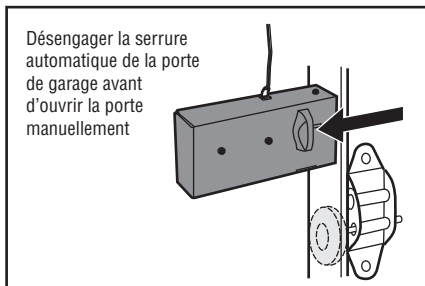
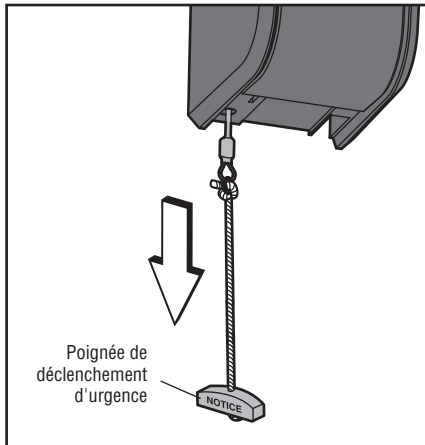
- Si possible, utilisez la poignée de déclenchement d'urgence pour dégager le chariot **UNIQUEMENT** lorsque la porte de garage est **FERMÉE**. Des ressorts faibles ou brisés ou une porte déséquilibrée peuvent provoquer la chute rapide et/ou imprévue d'une porte ouverte.
- Ne **JAMAIS** utiliser la poignée de déclenchement d'urgence à moins que rien ou personne n'obstrue la trajectoire de la porte.
- Ne **JAMAIS** utiliser la poignée pour ouvrir ou fermer la porte de garage. Il y a risque de chute si le nœud de la corde se défait.

## **Ouverture manuelle de la porte**

Désengager la serrure de la porte avant de procéder.

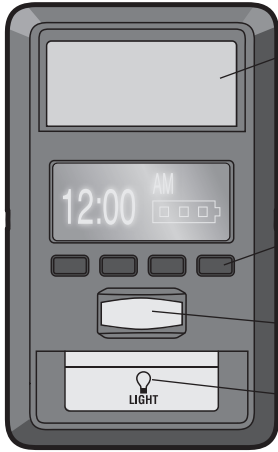
1. Dans la mesure du possible, la porte doit être complètement fermée.
2. Abaisser la poignée de déblocage vers le bas jusqu'à ce qu'un déclic se produise dans l'unité, puis soulever la porte manuellement.
3. Pour rebrancher la porte à l'ouvre-porte de garage, tirez la poignée de déclenchement d'urgence directement vers le bas une seconde fois jusqu'à ce qu'un déclic de l'ouvre-porte de garage se fasse entendre.

La porte de réengagera lors du prochain cycle d'ouverture ou de fermeture.



# Fonctionnement

## Commande de porte



### Barre de poussée :

Ouvrir/fermer la porte de garage.

### Touches de navigation :

Accéder au menu :

Réglage de l'heure, Minuterie de Réglage de l'heure, Minuterie de Programmer, Température, Langue, Éclairage, Contraste, Système d'alerte d'entretien (MAS), et Configuration Wi-Fi.

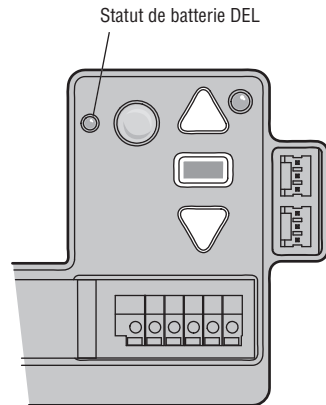
### Détecteur de mouvement

### Bouton d'éclairage

## Pile de secours

Le système d'alimentation par pile de secours vous permet d'entrer ou de sortir de votre garage lors d'une panne de courant. Lorsque l'ouvre-porte de garage fonctionne sur l'alimentation de secours, il fonctionne plus lentement et les fonctions d'éclairage, de temporisation de fermeture et de télécommande de fermeture (application MyQ) sont désactivées. En mode d'alimentation par pile de secours, la serrure automatique de porte de garage se déverrouillera lorsque la porte de garage est ouverte; elle restera désactivée jusqu'à ce que le courant soit restauré. Lors d'une panne de courant, la pile de secours fournit une alimentation jusqu'à 24 heures. Pour obtenir une longévité maximale de la pile et éviter tous dommages, débranchez la pile si l'ouvre-porte de garage reste débranché pendant une longue période de temps.

- DEL verte allumée en continu – Pile chargée
- DEL verte allumée clignotante – Pile en cours de chargement
- DEL orange allumée en continu avec bip - Fonctionnement sur alimentation de secours
- DEL orange clignotante avec bip – Pile faible
- DEL rouge allumée en continu avec bip – Remplacer la pile



## Protector System (Capteur d'inversion de sécurité)

### **AVERTISSEMENT**

S'assurer que l'ouvre-porte de garage est hors tension AVANT de poser le capteur d'inversion de sécurité.

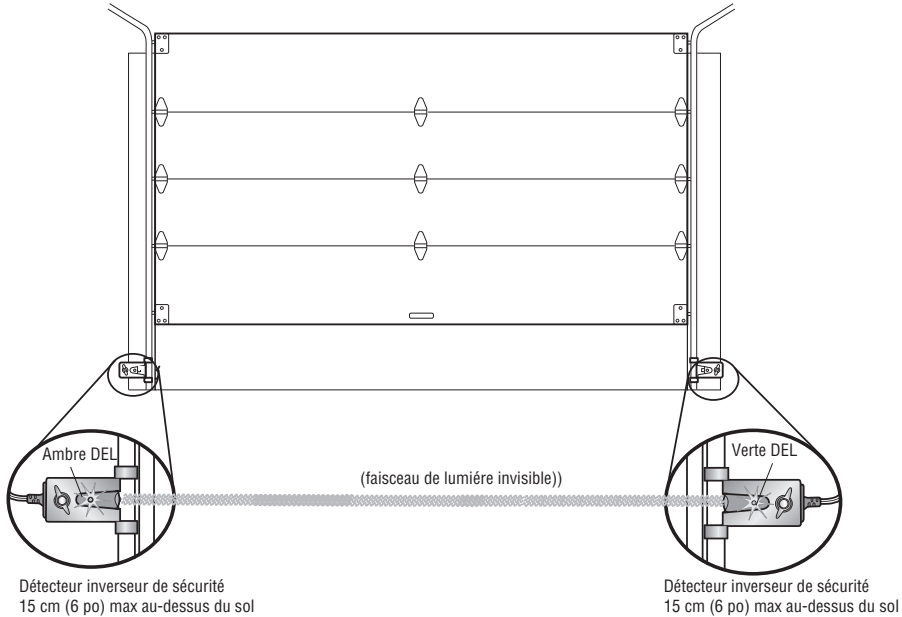
Pour prévenir des BLESSURES GRAVES ou LA MORT par suite d'une porte de garage qui se ferme :

- Raccorder et aligner correctement le détecteur inverseur de sécurité. Ce dispositif de sécurité requis NE DOIT PAS être désactivé.
- Poser le capteur d'inversion de sécurité de manière à ce que le faisceau NE SOIT PAS À UNE HAUTEUR de plus de 15 cm (6 po) au-dessus du plancher du garage.

**Le détecteur inverseur de sécurité doit être connecté et aligné correctement avant que l'ouvre-porte de garage n'entame le mouvement de fermeture**

Si le faisceau lumineux est obstrué ou mal aligné quand la porte se ferme, celle-ci va revenir en arrière et les lumières de l'ouvre-porte de garage vont clignoter dix fois. Si la porte est déjà ouverte, elle ne se fermera pas.

On peut aligner les détecteurs en desserrant les écrous à oreilles, en alignant les détecteurs, puis en serrant les écrous en question. S'assurer que les témoins DEL des deux détecteurs sont allumés. Les témoins DEL des deux détecteurs s'allumeront en continu s'ils sont alignés et bien câblés.





# Réglages

## Introduction

### **AVERTISSEMENT**

Sans un système d'inversion de sécurité bien installé, des personnes (plus particulièrement les petits enfants) pourraient être **GRIÈVEMENT BLESSÉES** ou **TUÉES** par une porte de garage qui se referme.

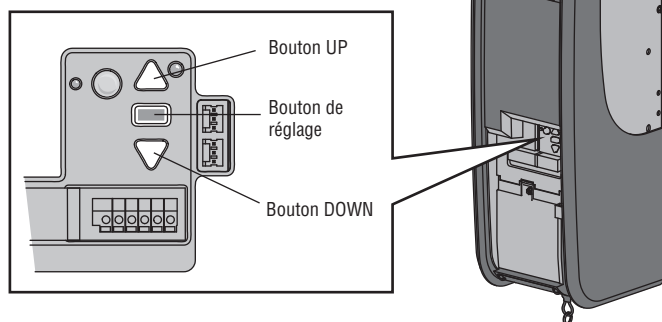
- Un réglage erroné des courses de la porte de garage gênera un fonctionnement approprié du système d'inversion de sécurité.
- Après avoir effectué QUELQUE réglage que ce soit, on **DOIT** faire l'essai du système d'inversion de sécurité. La porte de garage **DOIT** remonter au contact d'un objet d'une hauteur de 3,8 cm (1-1/2 de po) (ou un 2 x 4 posé à plat) du sol.

### **ATTENTION**

Pour prévenir les dommages aux véhicules, s'assurer que la porte entièrement ouverte offre un dégagement suffisant.

Votre ouvre-porte de garage a été conçu avec des commandes électroniques pour simplifier la configuration et les réglages. Les réglages vous permettent de programmer là où la porte s'arrêtera en position d'ouverture (UP) et de fermeture (DOWN). Les commandes électroniques détectent la force requise pour l'ouverture et pour la fermeture de la porte.

**REMARQUE :** Si quoi que ce soit gêne l'ouverture de la porte, elle s'arrêtera. Si quoi que ce soit gêne la fermeture de la porte, elle remontera.



## 1 Programmation de la course

### AVERTISSEMENT

Sans un système d'inversion de sécurité bien installé, des personnes (plus particulièrement les petits enfants) pourraient être GRIÈVEMENT BLESSÉES ou TUÉES par une porte de garage qui se referme.

- Un réglage erroné des courses de la porte de garage gênera un fonctionnement approprié du système d'inversion de sécurité.
- Après avoir effectué QUELQUE réglage que ce soit, on DOIT faire l'essai du système d'inversion de sécurité. La porte de garage DOIT remonter au contact d'un objet d'une hauteur de 3,8 cm (1-1/2 de po) (ou un 2 x 4 posé à plat) du sol.

Durant programmation, les boutons UP et DOWN pour déplacer la porte vers le haut et le bas, au besoin.

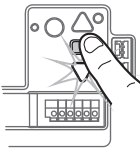
- 1.1** Appuyer sur le bouton de réglage et le maintenir enfoncé jusqu'à ce que le bouton UP commence à clignoter ou qu'un bip se fasse entendre.



- 1.2** Appuyer sur le bouton UP et le maintenir enfoncé jusqu'à ce que la porte soit à la position d'ouverture désirée.



- 1.3** Une fois que la porte est dans la position d'ouverture désirée, appuyer sur le bouton de réglage et le relâcher. L'éclairage de l'ouvre-porte de garage clignotera deux fois et le bouton DOWN commencera à clignoter.



- 1.4** Appuyer sur le bouton DOWN et le maintenir enfoncé jusqu'à ce que la porte soit à la position de fermeture désirée.



- 1.5** Une fois que la porte est dans la position de fermeture désirée, appuyer sur le bouton de réglage et le relâcher. L'éclairage de l'ouvre-porte de garage clignotera deux fois et le bouton UP commencera à clignoter.



- 1.6** Appuyer et relâcher le bouton UP. Lorsque la porte se déplace à la position UP programmée, le bouton DOWN commencera à clignoter.



- 1.7** Appuyer et relâcher le bouton DOWN. La porte se déplacera jusqu'à la position de fermeture programmée. La programmation est terminée.



Si les lampes de l'ouvre-porte de garage clignotent 5 fois au cours des étapes de programmation de la course, le délai de programmation a expiré. Si le moniteur de tension du câble n'est pas installé ou s'il détecte un trop grand mou dans le câble, l'éclairage de l'ouvre-porte de garage Clignotera 5 fois. S'assurer que le moniteur de tension du câble est correctement installé et suivre les étapes de programmation de la course. Si l'éclairage de l'ouvre-porte de garage clignote 10 fois au cours des étapes de programmation de la course, les capteurs d'inversion de sécurité sont mal alignés ou obstrués (voir la page 12). Lorsque les capteurs sont alignés et dégagés, effectuer un cycle d'ouverture et de fermeture complet de la porte en utilisant la télécommande ou les boutons UP et DOWN. La programmation est terminée. Si la porte ne s'actionne pas, répéter les étapes de la programmation de la course.

## 2 Essai du système d'inversion de sécurité

### **AVERTISSEMENT**

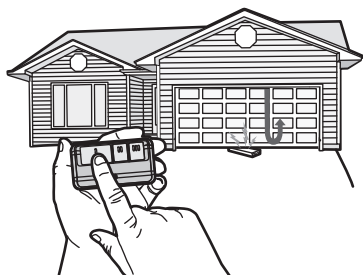
Sans un système d'inversion de sécurité bien installé, des personnes (plus particulièrement les petits enfants) pourraient être GRIÈVEMENT BLESSÉES ou TUÉES par une porte de garage qui se referme.

- Le système d'inversion de sécurité DOIT être testé chaque mois.
- Après avoir effectué QUELQUE réglage que ce soit, on DOIT faire l'essai du système d'inversion de sécurité. La porte de garage DOIT remonter au contact d'un objet d'une hauteur de 3,8 cm (1-1/2 de po) (ou un 2 x 4 posé à plat) du sol.

- 2.1** La porte étant entièrement ouverte, placer une planche de 3,8 cm (1-1/2 de po) d'épaisseur (ou un 2 x 4 à plat) sur le sol, centrée sous la porte de garage.



- 2.2** Appuyer sur le bouton-poussoir de la télécommande pour fermer la porte. La porte DOIT remonter quand elle entre en contact avec la planche.



Si la porte arrête sa course, mais ne l'inverse pas :

1. Revoir les instructions d'installation fournies pour vérifier que toutes les étapes ont bien été suivies;
2. Répéter la programmation de la course de la porte (voir Étape 1 du réglage);
3. Répéter l'essai du système d'inversion de sécurité.

Si l'essai échoue encore, appeler un technicien formé en systèmes de porte.

## 3 Essai du Protector System

### **AVERTISSEMENT**

Sans un système d'inversion de sécurité bien installé, des personnes (plus particulièrement les petits enfants) pourraient être GRIÈVEMENT BLESSÉES ou TUÉES par une porte de garage qui se referme.

- 3.1** Ouvrir la porte. Placer un obstacle dans la trajectoire de la porte en mouvement.



- 3.2** Appuyer sur le bouton-poussoir de la télécommande pour fermer la porte. La porte ne se déplacera pas plus de 2,5 cm (1 po) et l'éclairage de l'ouvre-porte de garage clignotera 10 fois.



L'ouvre-porte de garage ne se fermera pas à l'aide d'une télécommande si le témoin DEL d'un des deux capteurs d'inversion est éteint (ce qui avertit que le détecteur est mal aligné ou obstrué).

Si l'ouvre-porte de garage ferme la porte lorsque le capteur d'inversion de sécurité est obstrué (et que les capteurs ne sont pas à plus de 15 cm [6 po] du sol), appeler un technicien formé en systèmes de porte.

## Calendrier d'entretien

### CHAQUE MOIS

- Faire fonctionner la porte à la main. Si elle est déséquilibrée ou si elle force, appeler un technicien formé en systèmes de porte.
- S'assurer que la porte s'ouvre et se ferme complètement. Ajuster, au besoin, voir page 14.
- Contrôle du système d'inversion de sécurité. Ajuster, au besoin, voir page 15.

### CHAQUE ANNÉE

- Huiler les galets, les roulements et les charnières de la porte. Il n'est pas nécessaire de lubrifier davantage l'ouvre-porte de garage. Ne pas graisser les guides de la porte.
- Mettre la pile à l'essai et songer à la remplacer pour s'assurer que la porte de garage fonctionnera pendant une panne de courant électrique.

### Mise à l'essai de la pile :

1. Débranchez l'ouvre-porte de garage. Le témoin DEL de la pile s'allumera en orange foncé, ce qui indique que l'ouvre-porte fonctionne sur pile ou clignotera pour indiquer que la pile est faible.
2. Ouvrez et fermez la porte à l'aide de la télécommande ou de la commande de porte.
3. En mode d'alimentation par pile de secours, la serrure automatique de porte de garage se déverrouillera lorsque la porte de garage est ouverte; elle restera désactivée jusqu'à ce que le courant soit restauré.
4. Branchez l'ouvre-porte de garage. Vérifiez si le témoin DEL de la pile clignote en vert, ce qui indique que la pile se recharge.

### LAMPE À DEL TÉLÉCOMMANDÉE MyQ

- Débrancher la lampe avant de la nettoyer.
- Se servir d'un chiffon humide pour le nettoyage.
- NE PAS utiliser de nettoyeurs liquides sur la lentille de la lampe.

## La pile de la télécommande

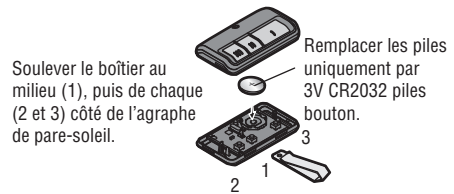
### **AVERTISSEMENT**

Pour éviter des BLESSURES GRAVES, VOIRE MORTELLES :

- Ne laissez JAMAIS des enfants s'approcher de la pile.
- Communiquez immédiatement avec un médecin en cas d'ingestion d'une pile.

Pour réduire le risque d'incendie, d'explosion ou de brûlure chimique :

- La remplacer UNIQUEMENT par une pile bouton 3V CR2032.
- NE PAS recharger, démonter, chauffer à plus de 100 °C (212 °F) ou incinérer les piles.



**AVIS :** Cet appareil est conforme aux dispositions de la partie 15 du règlement de la FCC et de l'exemption de licence IC (Industrie Canada) RSS. L'utilisation est assujettie aux deux conditions suivantes : (1) ce dispositif ne peut causer d'interférences nuisibles, et (2) ce dispositif doit accepter toute interférence reçue, y compris toute interférence pouvant causer un fonctionnement non désiré.

Tout changement ou modification non expressément approuvé par la partie responsable de la conformité pourrait annuler l'autorité de l'utilisateur d'utiliser l'équipement.

Cet appareil doit être installé de manière à laisser une distance d'au moins 20 cm (8 po) entre celui-ci et l'utilisateur ou toute personne.

Cet appareil a été testé et déclaré conforme aux limites d'un dispositif numérique de Classe B, conformément à la partie 15 du règlement de la FCC et de la norme NMB d'Innovation, Sciences et Développement économique Canada. Ces limites ont pour but de fournir une protection raisonnable contre les interférences nuisibles dans une installation résidentielle. Cet équipement génère, utilise et peut émettre des fréquences radio et, s'il n'est pas installé et utilisé conformément aux instructions, peut causer des interférences nuisibles aux communications radio. Cependant, il n'existe aucune garantie que des interférences ne se produiront pas dans une installation particulière. Si cet équipement provoque des interférences nuisibles à la réception d'une diffusion sonore ou visuelle, ce qu'on peut déterminer en l'allumant et en l'éteignant, l'utilisateur est invité à essayer de résoudre ce problème en prenant une ou plusieurs des mesures suivantes :

- Réorienter ou déplacer l'antenne de réception.
- Augmenter la distance entre l'équipement et le récepteur.
- Brancher l'appareil à une prise sur un circuit différent de celui du récepteur.
- Pour obtenir de l'aide, consulter le détaillant ou un radiotechnicien chevronné.

# Dépannage

## L'ouvre-porte ne peut être actionné à partir du panneau de commande ou de la télécommande :

- L'ouvre-porte est-il alimenté électriquement? Brancher une lampe dans la prise. Si elle ne s'allume pas, vérifier la boîte à fusible ou le panneau de disjoncteurs. (Certaines prises sont commandées par un interrupteur mural.)
- Les verrous de porte sont-ils tous désactivés ? Passer en revue les mises en garde des consignes d'installation en page 3.
- A-t-il une accumulation de glace ou de neige sous la porte? La porte pourrait être fixée au sol par le gel. Retirer toute obstruction.
- Le ressort de la porte de garage peut-être brisé. Le remplacer.

## Ma télécommande n'actionne pas la porte de garage :

- Vérifier si la fonction de verrouillage n'est pas activée sur la commande de porte.
- Reprogrammer la télécommande.
- Si la télécommande n'actionne toujours pas la porte, vérifier les codes d'anomalie pour s'assurer que l'ouvre-porte de garage fonctionne correctement.

## La télécommande possède une portée restreinte :

- Changer l'emplacement de la télécommande dans la voiture.
- Certaines installations pourraient avoir une portée plus restreinte à cause d'une porte en métal, d'un support d'isolation en papier d'aluminium ou d'un parement métallique sur les murs du garage.

## La porte ne s'ouvre pas complètement :

- Vérifier le verrou électrique de porte.
- Quelque chose fait-il obstruction à l'ouverture de la porte? Est-elle déséquilibrée ou le ressort est-il brisé? Retirer l'obstruction ou réparer la porte.

## La porte s'ouvre mais ne se referme pas :

- Vérifier le moniteur de tension du câble. Si un deuxième moniteur de tension du câble a été enlevé, débrancher et brancher l'ouvre-porte de garage deux fois pour le réinitialiser.
- Si la lumière de l'ouvre-porte clignote, vérifier le détecteur d'inversion de sécurité (voir page 12).
- Si les lumières de l'ouvre-porte ne clignent pas et qu'il s'agit d'une nouvelle installation voir Réglages Étape 1. Pour une installation existante, voir ci-dessous.

Répéter le test d'inversion de sécurité une fois l'ajustement complété.

## La porte s'inverse sans raison apparente et les lumières de l'ouvre-porte ne clignent pas :

- Vérifier le moniteur de tension du câble (voir Installation Étape 4). Si un deuxième moniteur de tension du câble a été enlevé, débrancher et brancher l'ouvre-porte de garage deux fois pour le réinitialiser.
- Quelque chose fait-il obstruction à l'ouverture de la porte? Tirer la poignée de déclenchement d'urgence. Faire fonctionner la porte manuellement. Si elle est déséquilibrée ou si elle force, appeler un technicien formé en systèmes de porte.
- Enlever toute glace ou neige du plancher à l'endroit où se ferme la porte.
- Consulter Réglages Étape 1.

Répéter le test d'inversion de sécurité après les ajustements.

## Ma porte ne se ferme pas et les ampoules d'éclairage clignent :

Le détecteur inverseur de sécurité doit être connecté et aligné correctement avant que l'ouvre-porte de garage n'entame le mouvement de fermeture.

- Vérifier que les détecteurs inverseurs de sécurité sont bien installés et libres de toute obstruction.

## L'ouvre-porte de garage s'efforce de faire fonctionner la porte :

- La porte est peut-être déséquilibrée ou les ressorts sont peut-être brisés. Refermer la porte et utiliser la poignée de déclenchement d'urgence pour la déconnecter. Ouvrir et fermer manuellement la porte. Une porte bien équilibrée pourra demeurer immobile à n'importe quel endroit de sa course, seulement supportée par ses ressorts. Si ce n'est pas le cas, déconnecter l'ouvre-porte et appeler un technicien formé en systèmes de portes.

## Le moteur de l'ouvre-porte de garage vrombit brièvement, puis ne fonctionne pas :

- Le ressort de la porte de garage peut-être brisé. Voir ci-dessus.
- Si le problème se produit à la première utilisation de l'ouvre-porte, la porte est peut-être verrouillée. Désactiver le verrouillage électrique.

## L'ouvre-porte de garage ne fonctionne pas en raison d'une panne de courant :

- Ouvrir manuellement le verrou électrique de la porte.
- Utiliser la poignée de déclenchement d'urgence pour la déconnecter. La porte peut s'ouvrir et se fermer manuellement. Lorsque l'alimentation revient, tirer le déclenchement manuel une seconde fois.
- En mode d'alimentation de secours par pile, l'ouvre-porte devrait pouvoir fonctionner jusqu'à 20 fois.

## La porte perd ses limites :

- Le collet n'est pas bien serré. Serrer le collet et reprogrammer les limites (voir Ajustement 1ère Étape).

## L'ouvre-porte de garage se déplace lorsque la porte est en fonctionnement :

- Un certain mouvement mineur est normal. S'il est excessif, le collet est peut-être prématurément usé.
- S'assurer que la barre de torsion ne bouge pas de gauche à droite de façon excessive.
- S'assurer que la barre de torsion ne bouge pas visiblement de haut en bas lorsqu'elle pivote.
- S'assurer que l'opérateur est monté à angle droit sur l'arbre de renvoi. Si ce n'est pas le cas, déplacer le support de fixation.

## La porte de garage émet un bip et la DEL rouge clignote :

La charge de la pile est faible ou la pile est épuisée.

- Remplacer la pile.

## Ma commande MyQ par téléphone intelligent, mes appareils sans fil MyQ et la minuterie de fermeture ne fonctionnent pas :

- Lorsque la pile de secours prend la relève, les dispositifs sans fil et la minuterie de fermeture sont désactivés.
- La lampe à DEL télécommandée MyQ doit être installée pour permettre l'utilisation de la temporisation de fermeture de la porte ou de la commande de porte MyQ par téléphone intelligent. Branchez la lampe à DEL télécommandée MyQ et assurez-vous qu'elle est programmée à l'ouvre-porte de garage. Il faut jusqu'à cinq minutes pour activer la temporisation de fermeture et la commande de la porte MyQ par téléphone intelligent.

## Le connecteur de la serrure de porte automatique ne s'adapte pas à la fiche de l'ouvre-porte :

Les vieux modèles de serrure de porte de 24 V sont incompatibles. utiliser modèle de serrure automatique 841LM.

## La serrure automatique de porte de garage ne s'active pas lorsque la porte de garage s'ouvre ou se ferme :

En mode d'alimentation par pile de secours, la serrure automatique de porte de garage se déverrouillera lorsque la porte de garage est ouverte; elle restera désactivée jusqu'à ce que le courant soit restauré.

# Guide de sécurité et d'entretien de l'ouvre-porte de garage automatique

## Sécurité de l'ouvre-porte de garage – une décision automatique

Une porte de garage est le plus gros objet mobile d'une maison. Dans le cas où la porte de garage et l'actionneur seraient mal réglés, une très grande force pourrait être exercée par la porte en se fermant, ce qui pourrait causer le piégeage d'enfants ou d'adultes et entraîner des blessures ou la mort.

L'installation appropriée du dispositif, l'emploi correct de l'ouvre-porte, de même que son bon entretien et la mise à l'essai de la porte et de l'actionneur automatique sont essentiels pour obtenir un système sécuritaire et efficace du système.

L'utilisation négligente de l'ouvre-porte ou le fait de laisser des enfants jouer avec les commandes de l'ouvre-porte créent des situations dangereuses qui peuvent avoir des conséquences tragiques. De simples précautions peuvent protéger votre famille et vos amis de dangers potentiels.

Veuillez lire attentivement les conseils de sécurité et d'entretien dans cette guide et conserver celle-ci pour référence ultérieure. Vérifiez votre porte de garage et l'ouvre-porte pour vous assurer qu'ils fonctionnent bien et de manière sécuritaire.

Assurez-vous de lire tous les renseignements importants sur la sécurité qui se trouvent dans le manuel de votre ouvre-porte de garage, car ils fournissent plus de détails et de consignes de sécurité que ne peut en contenir cette guide.

## Les ouvre-portes de garage ne sont pas des jouets

Discutez de la sécurité de la porte de garage et de l'ouvre-porte avec vos enfants. Expliquez-leur le danger de rester piégé sous la porte.



**Restez à l'écart d'une porte en mouvement.**



**Gardez les émetteurs et les télécommandes hors de portée des enfants.** Ne permettez pas aux enfants d'utiliser ou de jouer avec des émetteurs ou d'autres télécommandes.



**Le bouton-poussoir monté au mur doit être hors de portée des enfants** à au moins 1,5 m (5 pi) de la surface d'appui la plus proche et à l'écart de toutes les pièces mobiles. Montez et utilisez le bouton là où vous pouvez clairement voir la porte de garage qui se ferme.



**Gardez la porte bien en vue jusqu'à ce qu'elle soit complètement fermée** lors de l'utilisation du bouton-poussoir monté au mur ou de l'émetteur.

# Un entretien régulier peut prévenir des tragédies

Faites en sorte que l'inspection et la mise à l'essai mensuelles de votre système de porte de garage et de votre ouvre-porte fassent partie de vos tâches routinières. Étudiez votre manuel du propriétaire pour bien comprendre le fonctionnement de la porte et de l'ouvre-porte. Si vous ne possédez plus les manuels du propriétaire, contactez leur fabricant respectif et demandez de recevoir un exemplaire pour votre ou vos modèles particuliers. Repérez le numéro de modèle de l'ouvre-porte à l'arrière de l'unité d'alimentation.



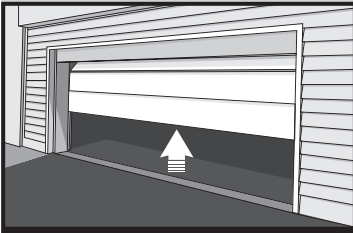
**AVERTISSEMENT - Les ressorts sont sous forte tension. Seules des personnes qualifiées devraient les ajuster.**

## Vérifiez visuellement la porte et l'installation :



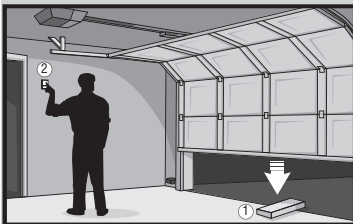
- En commençant par la porte en position fermée, servez-vous du mécanisme de déverrouillage manuel pour déconnecter la porte.
- Recherchez des signes d'usure ou de dommage sur les charnières, les rouleaux, les ressorts et les panneaux de la porte.
- Ces pièces doivent être lubrifiées régulièrement. Vérifiez le manuel du propriétaire concernant l'entretien suggéré.
- En cas de signes de dommages évidents, contactez un technicien formé en systèmes de porte pour obtenir une assistance.
- Vérifiez que les cellules photoélectriques ne dépassent pas une hauteur de 15 cm (6 po) du plancher du garage.

## Testez le bon fonctionnement de la porte :



- Ouvrez et fermez la porte manuellement en utilisant les poignées ou des points de préhension convenables.
- La porte devrait bouger librement et sans difficulté.
- **La porte devrait être équilibrée et rester partiellement ouverte à une hauteur de 0,9 m à 1,2 m (3 à 4 pi) au-dessus du sol.**
- En cas de signes d'un mauvais fonctionnement, contactez un technicien formé en systèmes de porte pour obtenir une assistance.

## Testez les fonctions de sécurité de l'ouvre-porte :



- Reconnectez l'ouvre-porte à la porte à l'aide du mécanisme de déverrouillage manuel et ouvrez la porte.
- Placez une planche de 2x4 à plat dans la trajectoire de la porte (1) et essayez de fermer la porte (2). La porte devrait s'arrêter lorsqu'elle entre en contact avec la planche et inverser sa course.
- Bloquez le capteur photoélectrique en agitant un objet devant le capteur et tentez de fermer la porte. La porte ne devrait pas se fermer à moins que le bouton-poussoir monté au mur soit tenu manuellement pendant l'opération.
- Si l'ouvre-porte ne fonctionne pas comme décrit dans le manuel, contactez un technicien formé en systèmes de porte pour obtenir une assistance.

# Pièces de réparation

Pour voir les pièces de rechange pour votre ouvre-porte de garage, identifier le numéro de modèle sur le panneau d'extrémité de l'ouvre-porte et visiter [LiftMaster.com/Customer-Support](http://LiftMaster.com/Customer-Support) pour télécharger ou imprimer le manuel d'installation.

# Garantie

## LIFTMASTER® GARANTIE LIMITÉE

LiftMaster (« le Vendeur ») garantit à l'acheteur au détail initial de ce produit pour la résidence dans laquelle ce produit est originalement installé, que ce dernier est exempt de tout défaut matériel ou de fabrication pour une période de temps précisée ci-dessous (la « Période de garantie »). La période de garantie commence à la date d'achat.

| PÉRIODE DE GARANTIE |        |             |                 |
|---------------------|--------|-------------|-----------------|
| Pièces              | Moteur | Accessoires | Pile de secours |
| 5 ans               | À vie  | 1 an        | 1 an            |

Le bon fonctionnement de ce produit dépend de la conformité de l'utilisateur aux instructions relatives à l'installation, au fonctionnement, à l'entretien et aux tests. Tout défaut de se conformer strictement à ces instructions annulera la présente garantie limitée dans son intégralité.

Si, pendant la période de garantie limitée, ce produit semble présenter un défaut couvert par cette garantie limitée, prière d'appeler sans frais au 1-800-528-9131 avant de désassembler ce produit. Des instructions de démontage et d'expédition seront fournies lors de votre appel. Le produit ou la pièce doit ensuite être envoyé à notre centre de réparation sous garantie, conformément aux instructions reçues, frais d'affranchissement et d'assurance prépayés. Une brève description du problème et une preuve d'achat datée devront accompagner tout produit retourné pour une réparation sous garantie. Les produits retournés au vendeur pour une réparation couverte par la garantie, qui après réception par le vendeur seront confirmés comme étant défectueux et couverts par la présente garantie limitée, seront réparés ou remplacés (à la discrétion du Vendeur) sans frais et retournés port payé. Les pièces défectueuses seront réparées ou remplacées par des pièces neuves ou réusinées, à la seule discrétion du Vendeur. [Les frais engagés pour le retrait et/ou la réinstallation du produit ou de tout composant incombent à l'acheteur.]

**TOUTE GARANTIE IMPLICITE POUR CE PRODUIT, Y COMPRIS, MAIS DE FAÇON NON LIMITATIVE, TOUTE GARANTIE IMPLICITE DE QUALITÉ MARCHANDE ET D'ADÉQUATION À UN USAGE PARTICULIER, SE LIMITE À LA DURÉE DE LA PÉRIODE DE GARANTIE LIMITÉE APPLICABLE STIPULÉE CI-DESSUS POUR LES COMPOSANTS CONCERNÉS; AUCUNE GARANTIE IMPLICITE N'EXISTERA OU NE S'APPLIQUERA APRÈS UNE TELLE PÉRIODE.** Certains États et provinces ne permettent pas les limitations de la durée des garanties implicites, auquel cas la limitation précitée pourrait ne pas s'appliquer à l'Acheteur. **LA PRÉSENTE GARANTIE LIMITÉE NE COUVRE PAS LES DOMMAGES QUI NE SONT PAS DUS À UN DÉFAUT, CEUX QUI SONT CAUSÉS PAR UNE MAUVAISE INSTALLATION, UNE OPÉRATION OU UN ENTRETIEN INADÉQUATS (INCLUANT, NOTAMMENT, LES AVARIES DUES À UN MAUVAIS TRAITEMENT, UN USAGE INAPPROPRIÉ, L'ABSENCE D'ENTRETIEN RAISONNABLE ET NÉCESSAIRE, DES RÉPARATIONS NON AUTORISÉES OU UNE MODIFICATION QUELCONQUE À CE PRODUIT), LES FRAIS DE MAIN-D'ŒUVRE POUR LA RÉINSTALLATION D'UNE UNITÉ RÉPARÉE OU REMPLACÉE, LE REMPLACEMENT DES PILES DES TÉLÉCOMMANDES ET DES AMPOULES OU DES UNITÉS INSTALLÉES POUR UNE UTILISATION NON RÉSIDENIELLE. LA PRÉSENTE GARANTIE LIMITÉE NE COUVRE PAS LES PROBLÈMES RELATIFS OU CONNEXES À LA PORTE DU GARAGE OU À LA QUINCAILLERIE DE LA PORTE DU GARAGE, NOTAMMENT LES RESSORTS DE LA PORTE, LES GALETS DE PORTE, L'ALIGNEMENT DE LA PORTE OU LES CHARNIÈRES. LA PRÉSENTE GARANTIE LIMITÉE NE COUVRE PAS NON PLUS LES PROBLÈMES CAUSÉS PAR LES INTERFÉRENCES. LE VENDEUR NE SERA EN AUCUN CAS TENU RESPONSABLE DES DOMMAGES-INTÉRÊTS PARTICULIERS OU INDIRECTS RÉSULTANT DE L'UTILISATION OU DE L'INAPTITUDE À UTILISER CE PRODUIT CORRECTEMENT. EN AUCUN CAS, LA RESPONSABILITÉ DU VENDEUR POUR BRIS DE GARANTIE, RUPTURE DE CONTRAT, NÉGLIGENCE OU RESPONSABILITÉ STRICTE N'EXCÉDERA LE COÛT DU PRODUIT COUVERT AUX PRÉSENTES. NUL N'EST AUTORISÉ À ASSUMER POUR NOUS D'AUTRES RESPONSABILITÉS RELATIVEMENT À LA VENTE DE CE PRODUIT.**

Certains États et provinces n'acceptant pas l'exclusion ou les restrictions relatives aux dommages spéciaux ou indirects, les restrictions ou exclusions figurant dans la présente garantie pourraient ne pas s'appliquer à l'Acheteur. Certains droits légaux particuliers sont conférés à l'Acheteur en vertu de cette garantie et celui-ci pourrait avoir d'autres droits qui varient selon l'État ou la province dans lequel ou laquelle réside l'Acheteur.

Wi-Fi® est une marque déposée de Wi-Fi Alliance.  
App Store est une marque de service d'Apple Inc.  
Google Play est une marque de commerce de Google Inc.  
© 2017, LiftMaster  
Tous droits réservés